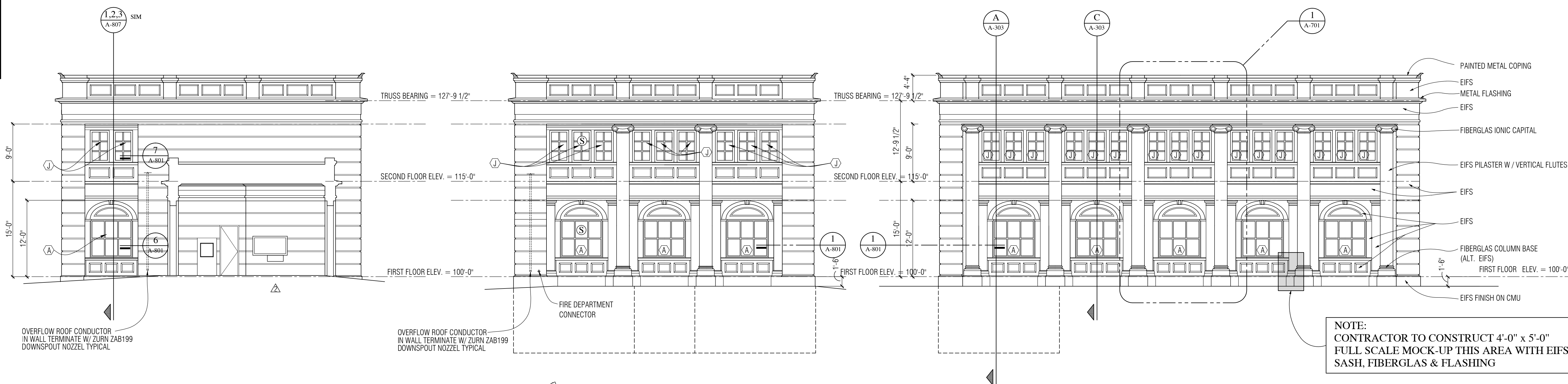


# DesRosiers Architects

36360 Woodward Avenue  
Bloomfield Hills, MI 48304  
248 / 642-7771

project  
**Northern Trust Bank**  
Bloomfield Hills, Michigan



**ELEVATION 5**  
SCALE: 1/8" = 1'-0"

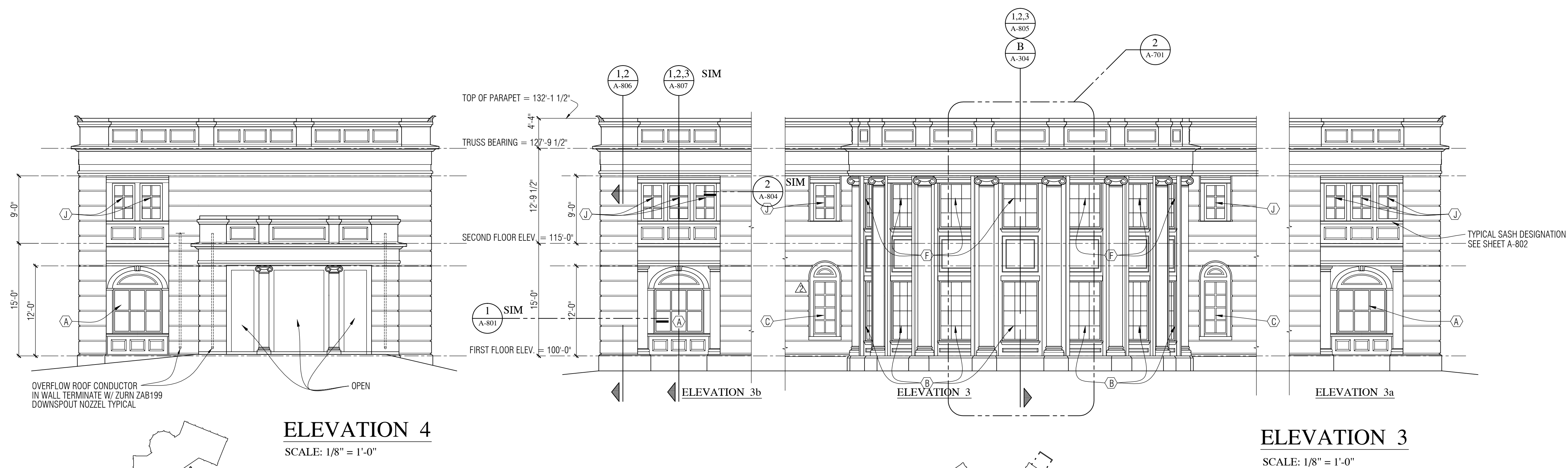
**ELEVATION 2**  
SCALE: 1/8" = 1'-0"

**ELEVATION 1**  
SCALE: 1/8" = 1'-0"

NOTE:  
S' INDICATES PLYWOOD CLOSURE PANEL INSIDE SASH. PROVIDE TEMP. GLASS. (TYPICAL)

sheet title  
**ELEVATIONS**

NOTE:  
S' INDICATES PLYWOOD CLOSURE PANEL INSIDE SASH. PROVIDE TEMP. GLASS. (TYPICAL)  
T' INDICATES TEMPERED GLASS



**ELEVATION 4**  
SCALE: 1/8" = 1'-0"

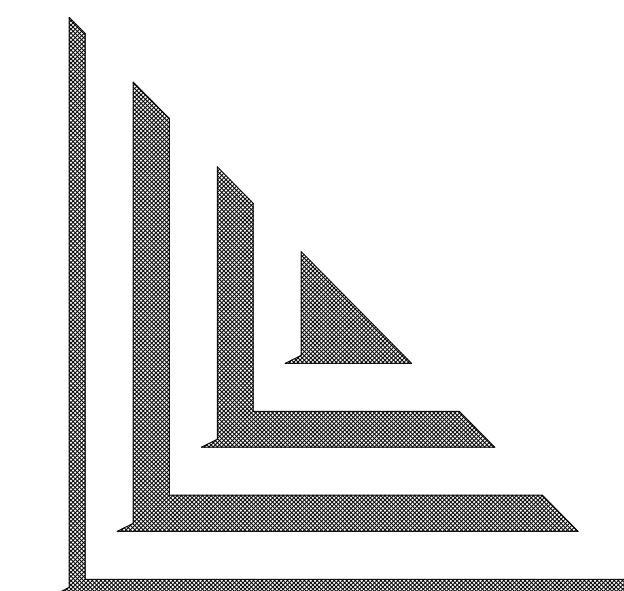
**ELEVATION 3**  
SCALE: 1/8" = 1'-0"

date  
6 / 4 / 2001: BID PACK #5  
6 / 15 / 2001: FINAL PRICING  
6 / 27 / 2001: REVISION  
11 / 12 / 2001: BULLETIN #1 FOR CONSTRUCTION

job  
**9916**

AutoCAD v14  
F:\active job\200x  
sheet

**A-301**



# DesRosiers Architects

36360 Woodward Avenue  
Bloomfield Hills, MI 48304  
248 / 642-7771

project  
**Northern Trust Bank**  
Bloomfield Hills, Michigan

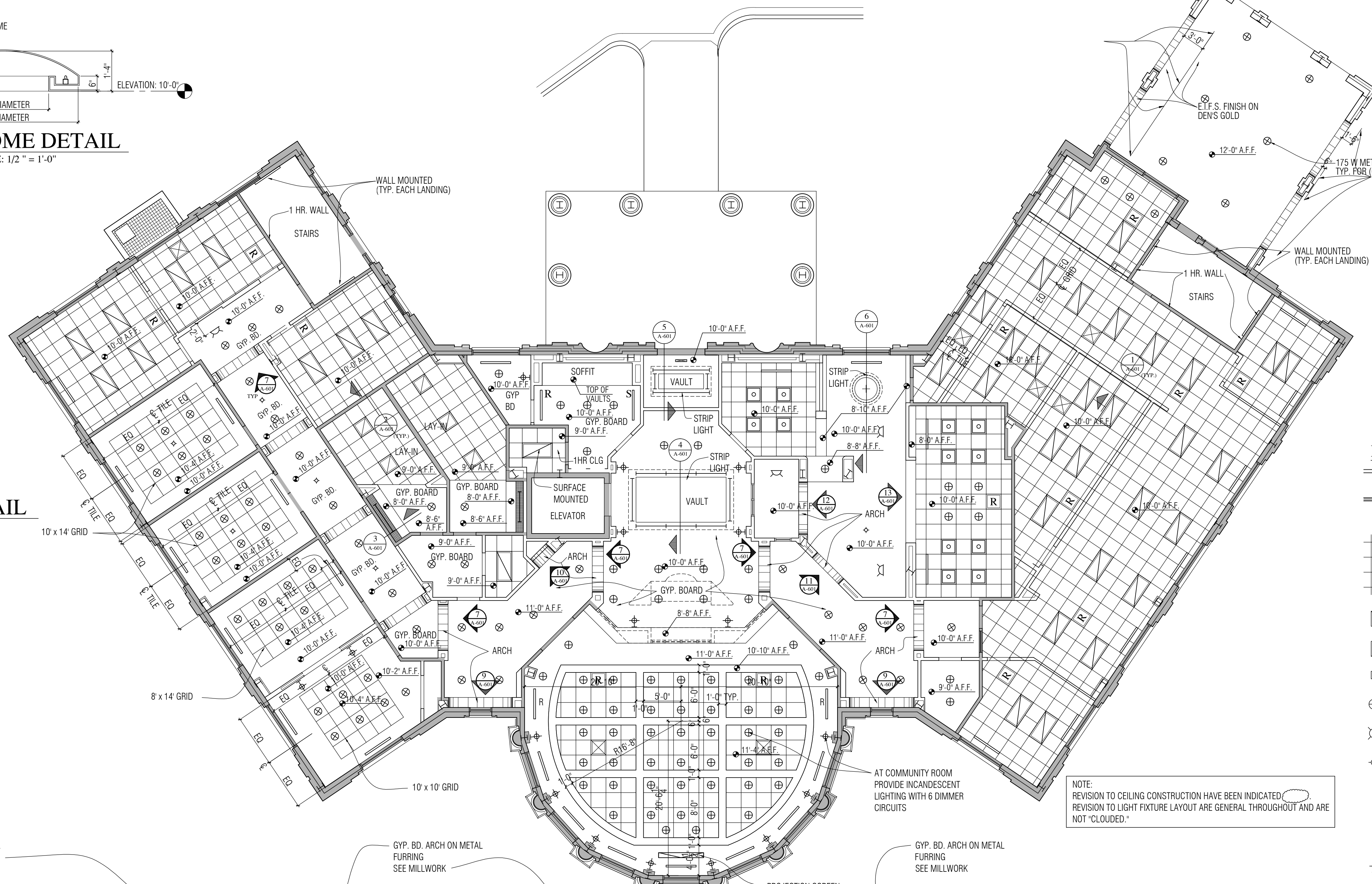
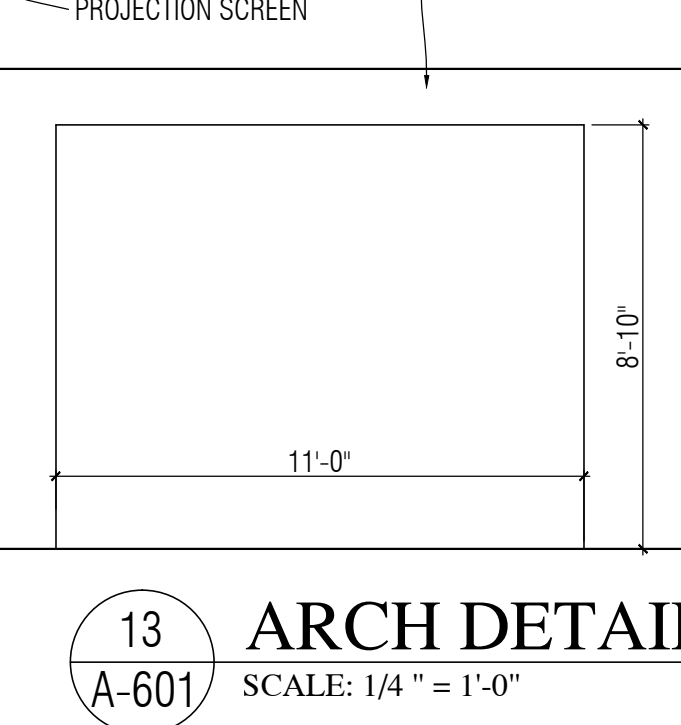
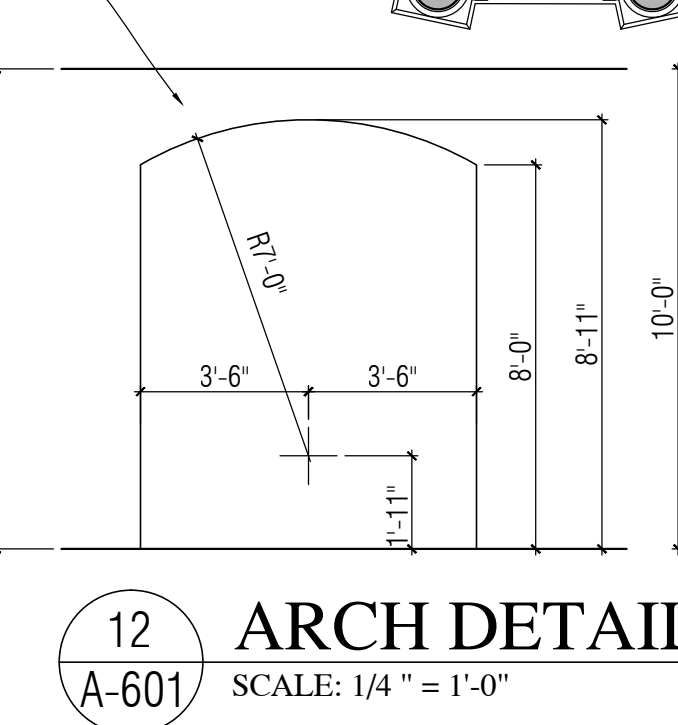
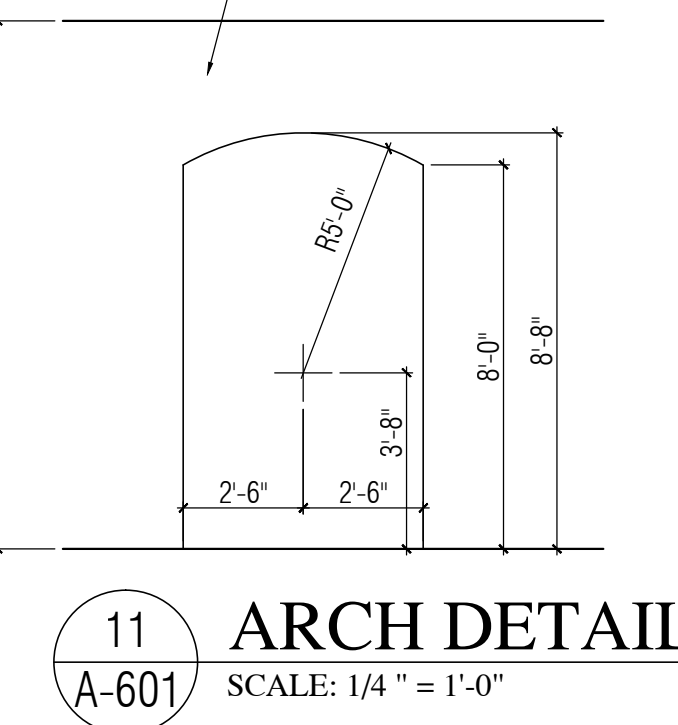
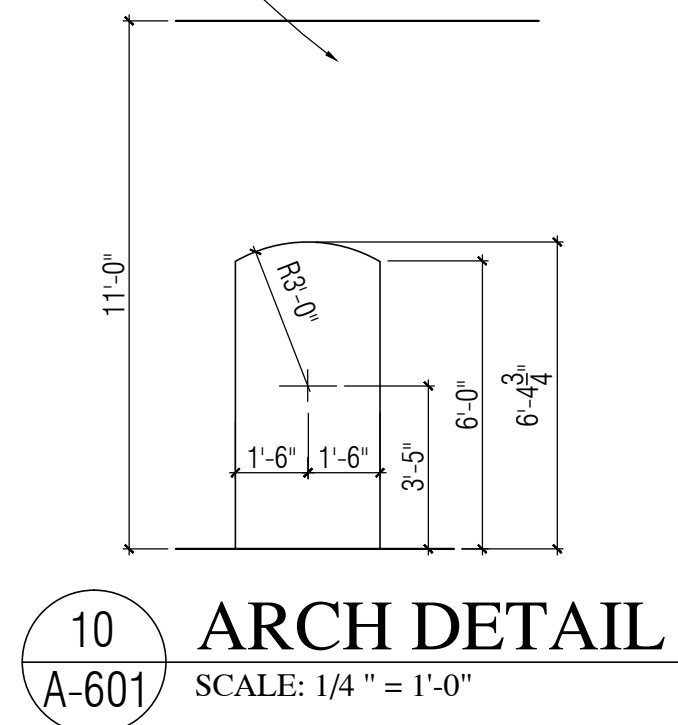
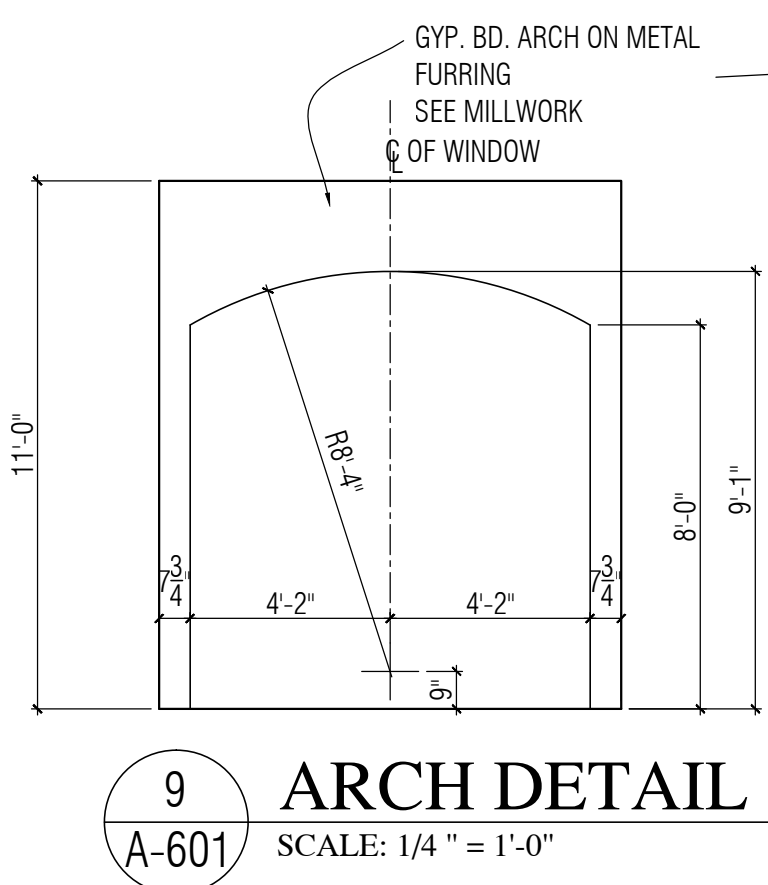
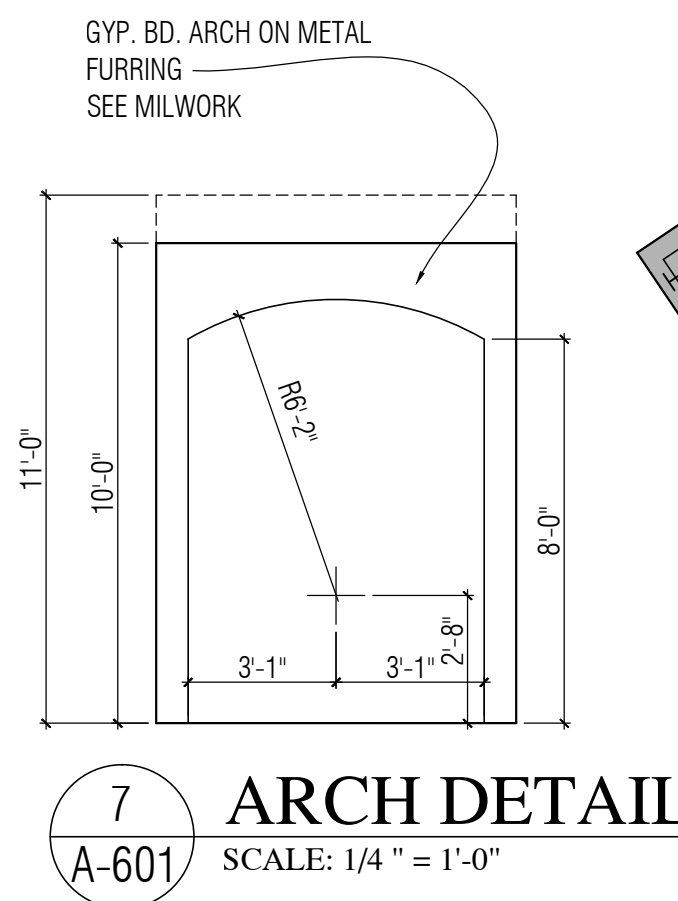
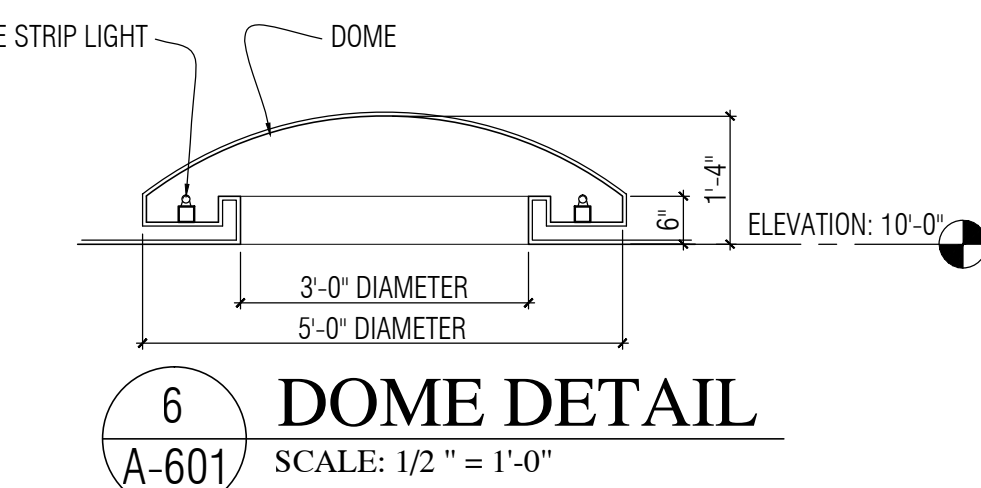
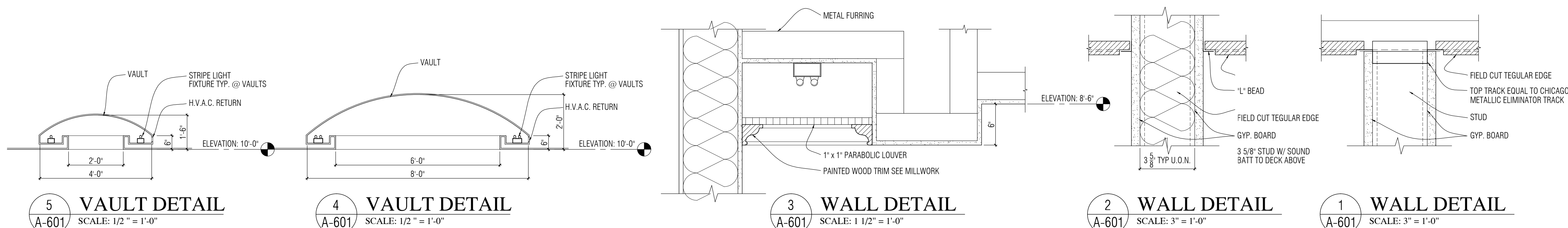
sheet title  
**LOBBY LEVEL REFLECTED CEILING PLANS**

date	description
6/15/2001	FINAL PRICING
6/25/2001	ISSUED
10/31/2001	PRELIMINARY
11/2/2001	PRELIMINARY
11/7/2001	FOR REVIEW
11/12/2001	BULLETIN #1 FOR CONSTRUCTION
2/8/2001	REVISION
2/15/2001	BULLETIN #2
3/26/2002	FIELD REVISION

job  
**9916**

AutoCAD v14  
f:\active job\2001 sheet

# A-601



**LEGEND**

- WALL EXTENDS TO UNDERSIDE OF GRID CEILING SEE 1/A-601
- WALL EXTENDS THROUGH GRID TO DECK ABOVE SEE 2/A-601
- TYPE 1 LAY-IN 2 x 2 EQUAL TO ARMSTRONG CIRRUS # 550 WHITE 24 x 24 x 3/4 BEVELED TEGULAR WHITE SUPERFINE 9/16" EXPOSED TEE GRID
- 2 x 2 LAY-IN LIGHT FIXTURE - 2 LAMP, 40W TT5
- 2 x 4 LAY-IN LIGHT FIXTURE - 18 CELL PARABOLIC LOUVER, 3 LAMP 32W/8
- 1 x 4 SURFACE MOUNTED LIGHT FIXTURE
- RECESSED DOWN LIGHT - FLUORESCENT, EXCEPT WHERE NOTED
- RECESSED ACCENT INCANDESCENT / DIMMABLE MOUNTED 3" FROM WALL U.N.O.
- 110 V - SURFACE MOUNTED LIGHT FIXTURE DIMMABLE - OWNER PROVIDED, 450 W DECORATIVE PENDANT INCANDESCENT FIXTURE TO BE OWNER PROVIDED, INSTALLED BY G.C.; ALLOW 450 W. FIXTURE SHALL BE DIMMED. G.C. SHALL F & I SOLID WOOD BLOCKING FOR ALL CEILING MOUNTED DECORATIVE LIGHT FIXTURES AS REQ. ALLOW 100 LBS. PER FIXTURE
- 110 V - WALL MOUNTED LIGHT FIXTURE / DIMMABLE - OWNER PROVIDED, 80 W WALL - MOUNTED DECORATIVE INCANDESCENT SCENCE. FIXTURE TO BE OWNER PROVIDED, INSTALLED BY G.C.; ALLOW 80W. FIXTURE SHALL BE DIMMED. J-BOX SHALL BE MOUNTED VERTICALLY. HEIGHT TBD
- SUPPLY AIR - LAY IN 2 x 2
- LINEAR DIFFUSER LAY IN OR DRYWALL FRAME
- RETURN AIR - LAY IN 2 x 2

**NOTE:**  
REVISION TO CEILING CONSTRUCTION HAVE BEEN INDICATED  
REVISION TO LIGHT FIXTURE LAYOUT ARE GENERAL THROUGHOUT AND ARE NOT "CLOUDED."

**NOTES:**  
1. LIGHTING INDICATED IS SCHEMATIC - SEE ELECTRICAL DESIGN BUILD DRAWINGS FOR FIXTURE TYPE AND LOCATION.  
2. REFER TO DESIGN BUILD MECHANICAL DRAWINGS FOR ADDITIONAL HVAC & FIRE PROTECTION WORK @ CEILING.

## LOBBY LEVEL REFLECTED CEILING PLAN

SCALE: 1/8" = 1'-0"

