


OVERALL FLOOR PLAN
SCALE: 1/4" = 1'-0"

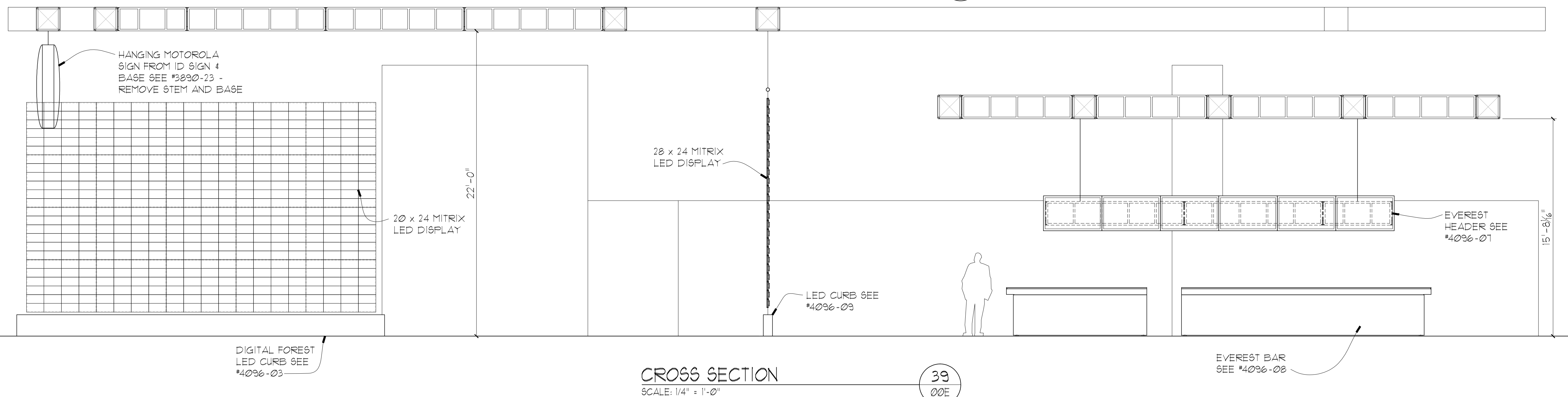
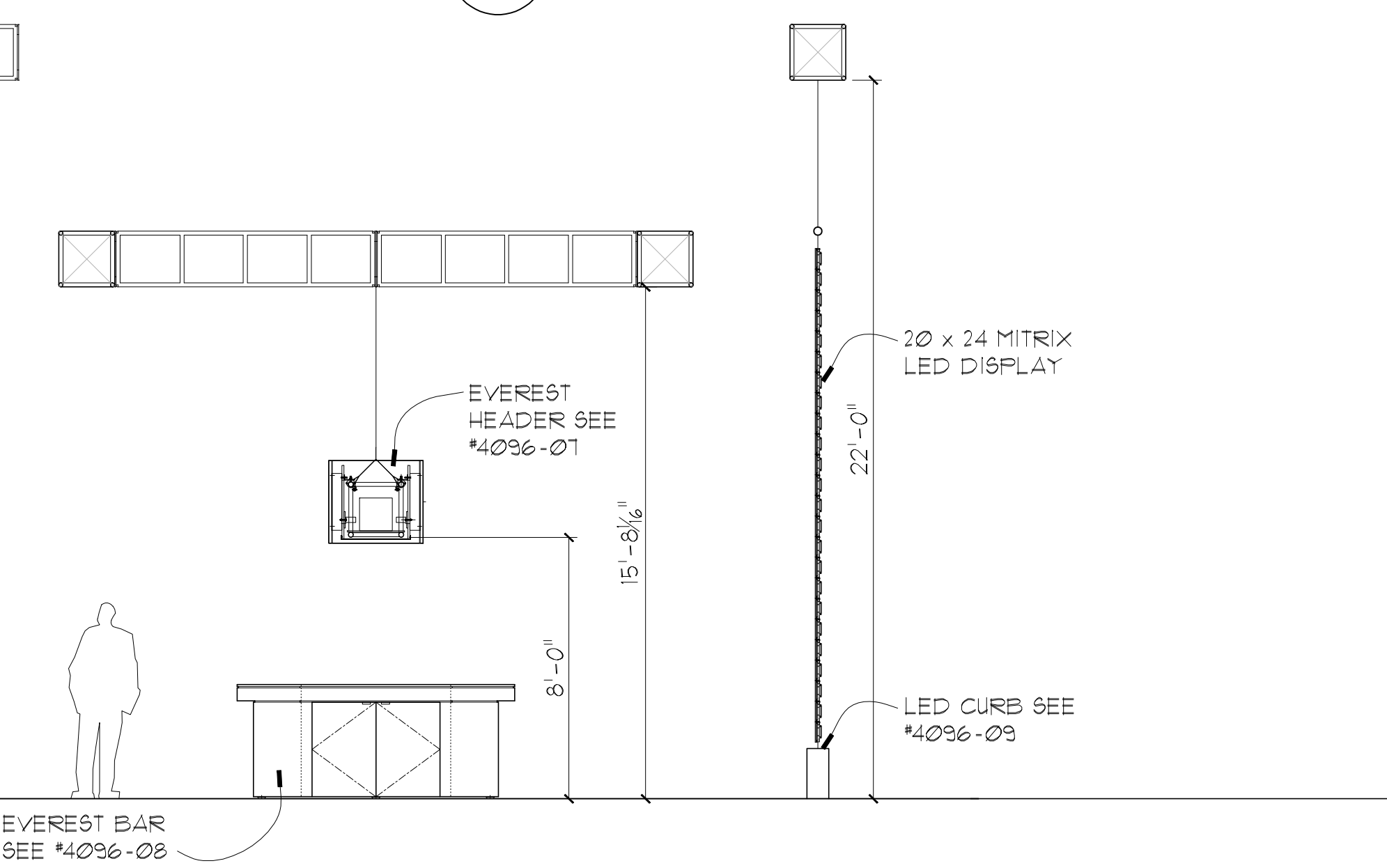
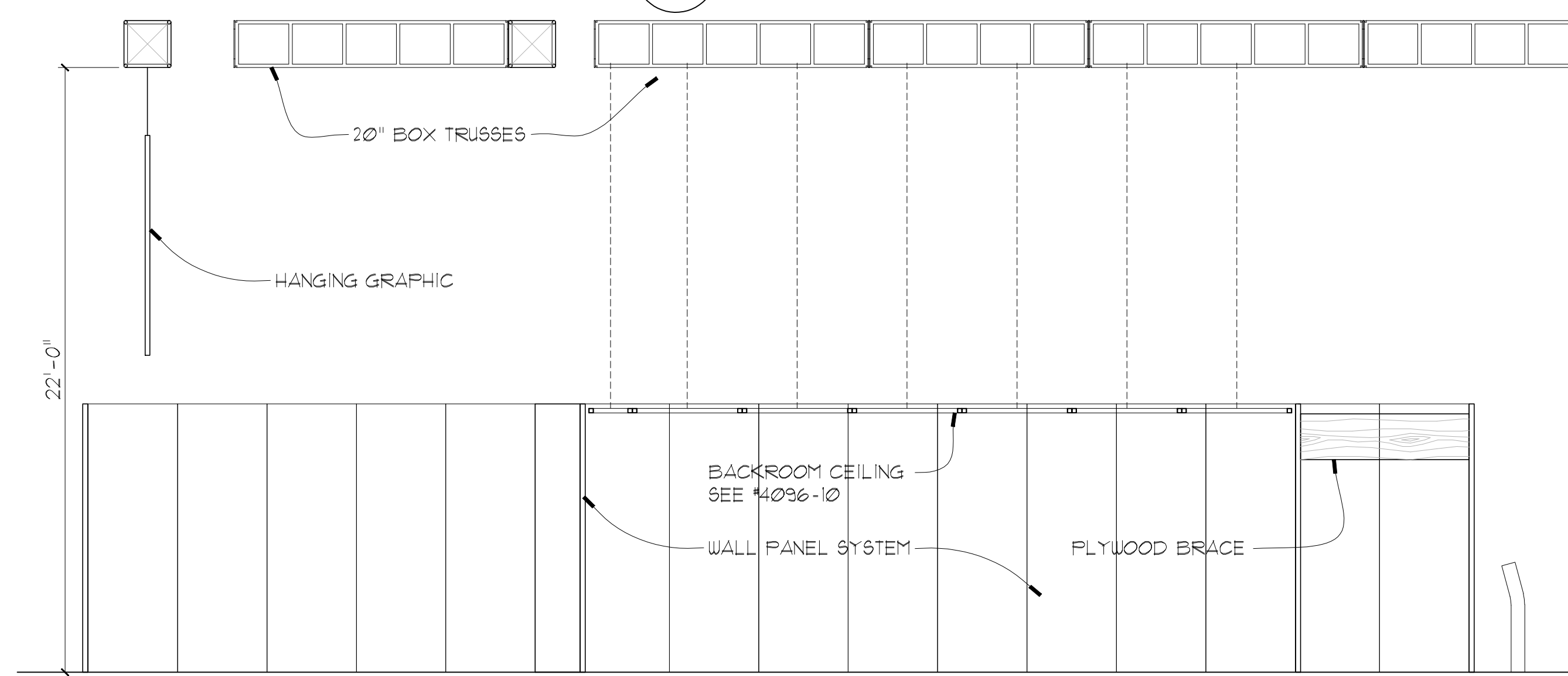
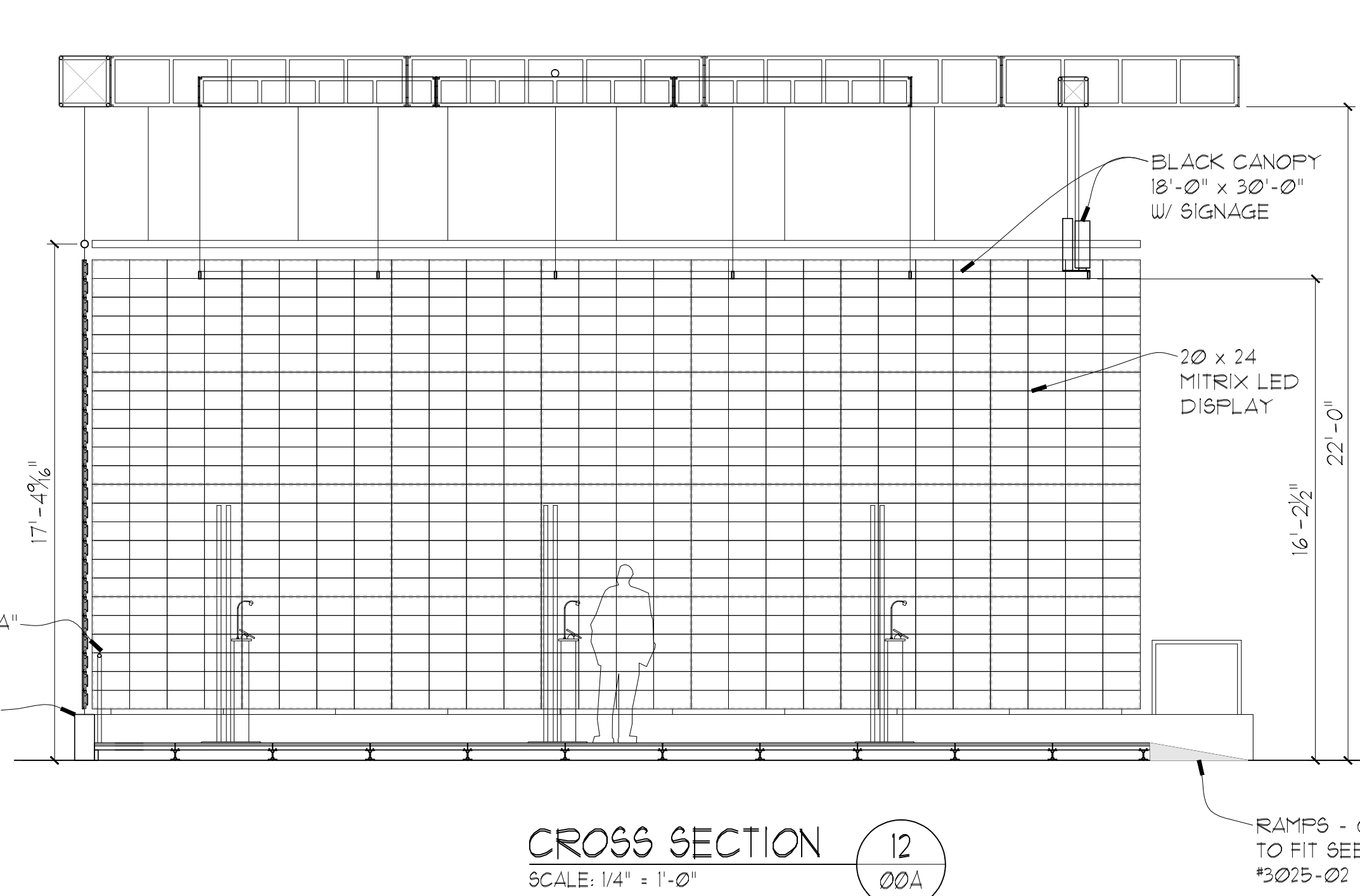
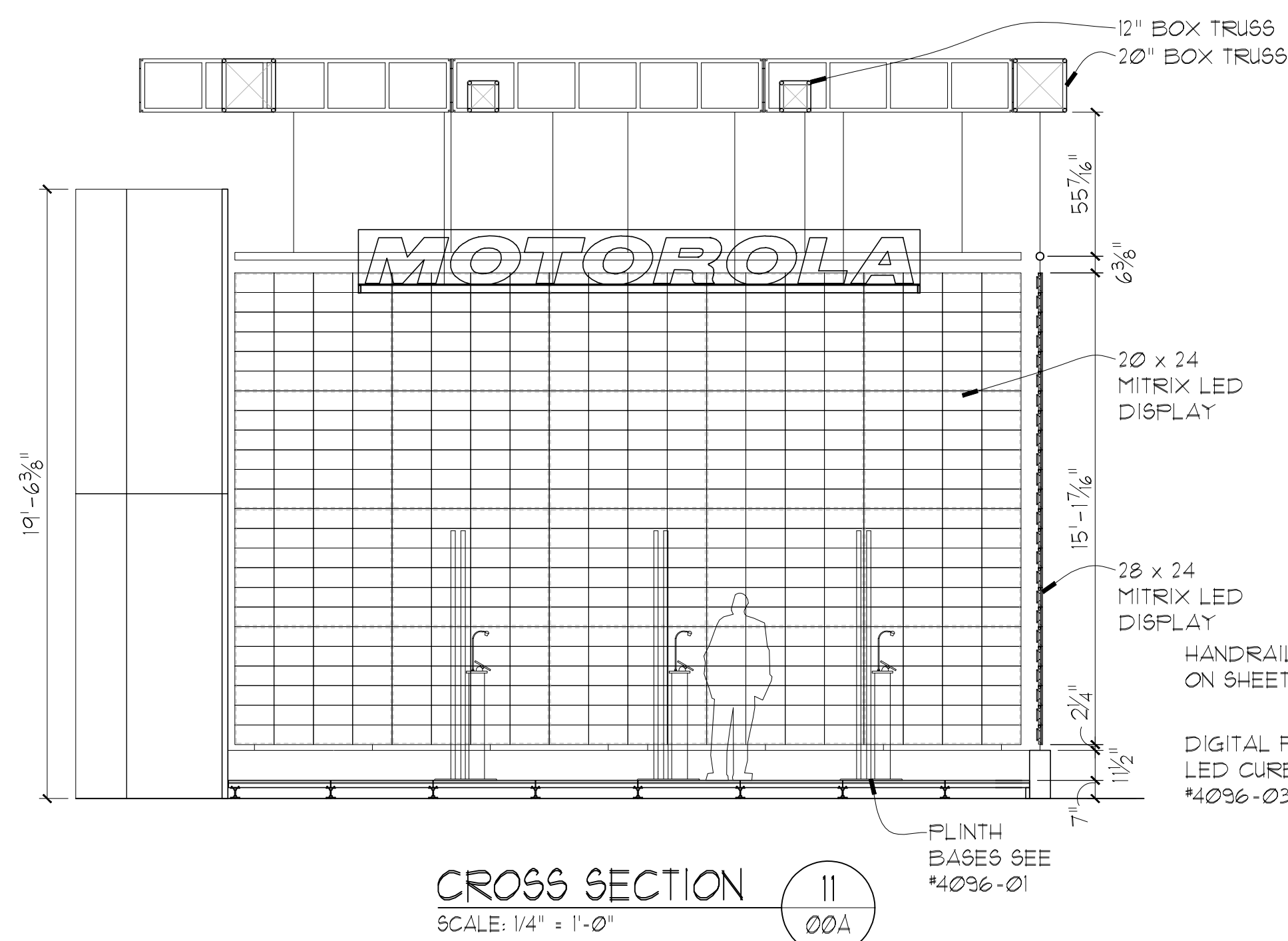
• ALL INTERIOR FABRIC TO BE WHITE
• ALL EXTERIOR FABRIC TO BE BLACK
• SEE SHEET #4096-00K FOR MORE INFO

KEYNOTING SCHEDULES

STENCILING		TOTAL UNITS REQ'D
CLIENT CODE	197081	1
DO NOT SCALE DRAWINGS		
GENERAL NOTE This drawing is the property of, and contains design data which is proprietary to George P. Johnson. Reproduction, use, or transfer of this drawing, or any information contained herein, to others, except as specifically authorized in connection with this project only, is NOT permitted without written approval of George P. Johnson.		
COPYRIGHT 2007 George P. Johnson		
		
GEORGE P. JOHNSON experience marketing		
3600 Giddings Rd. 18500 Crenshaw Blvd 4000 Centre Point Drive Auburn Hills, MI 48326 Torrance, CA 90504 Lovell, TN 37086 (248) 475-2500 (310) 965-4300 (615) 768-3200 (800) 521-1365 (800) 338-8032		
CLIENT	MOTOROLA - MD	
PROJECT	CES 2011 TN FABRICATION	
ELEMENT	OVERALL	
DRAWING	PLAN	
APPROVALS		
DESIGN	SALES	PRODUCTION
DETROIT		CRATED
FABRICATION LOCATION		
DETROIT		CONTAINER
USAGE		
TO BE SHIPPED OVERSEAS? NO		
CAN ELEMENT BE USED IN L.A. NO		
DRAWING NO.	DRAWN	APP'D
4096-00A	JA	
SHOP ORDER NO.	1018536C0	

ISSUE DATE: STRUCTURAL LOGISTICS CRATING GRAPHICS SEWING PAINT ELECTRICAL METAL SHOP GEN. FOREMAN LEAD FOREMAN C.A.C. DEPT.

70812010_4096-00A.dwg, 1/2/2011 1:17:22 PM, jamao



KEYNOTING SCHEDULES

CLIENT CODE	STENCILING	TOTAL UNITS REQ'D
197081		1

DO NOT SCALE DRAWINGS

GENERAL NOTE
This drawing is the property of, and contains design data which is proprietary to George P. Johnson. Reproduction, use, or transfer of this drawing, or any information contained herein, to others, except as specifically authorized in connection with this project only, is NOT permitted without written approval of George P. Johnson.

COPYRIGHT 2007 George P. Johnson



3600 Giddings Rd. 18500 Crenshaw Blvd 4000 Centre Point Drive
Auburn Hills, MI 48326 Torrance, CA 90504 LaVerne, TN 37086
(248) 475-2500 (310) 965-4300 (615) 768-3200
(800) 521-1365 (800) 338-8032

CLIENT
MOTOROLA - MD

PROJECT
CES 2011 TN FABRICATION

ELEMENT
OVERALL

DRAWING
SECTIONS

APPROVALS			
EST.	DESIGN	SALES	PRODUCTION
			STRUCTURAL

FABRICATION LOCATION
DETROIT

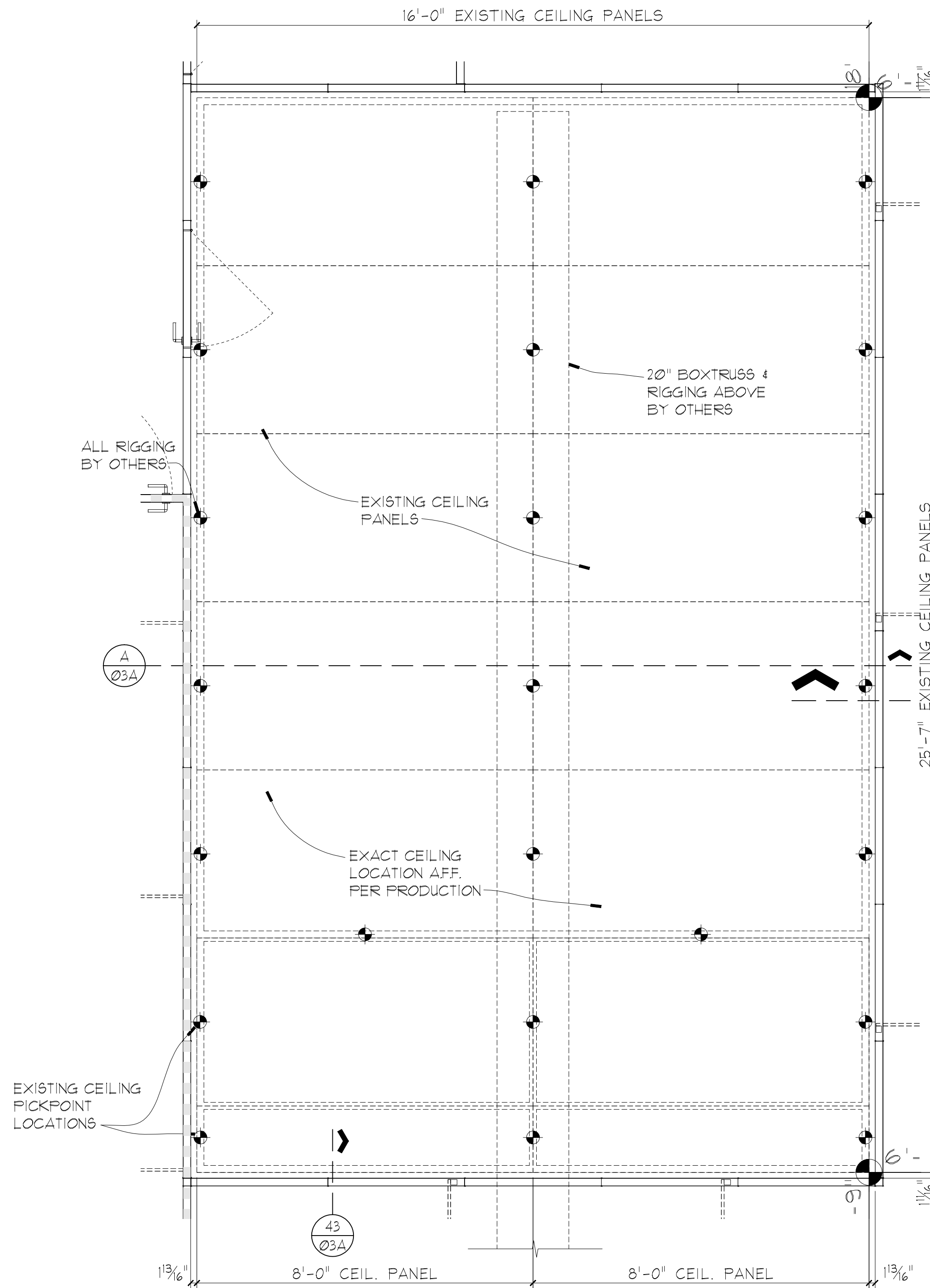
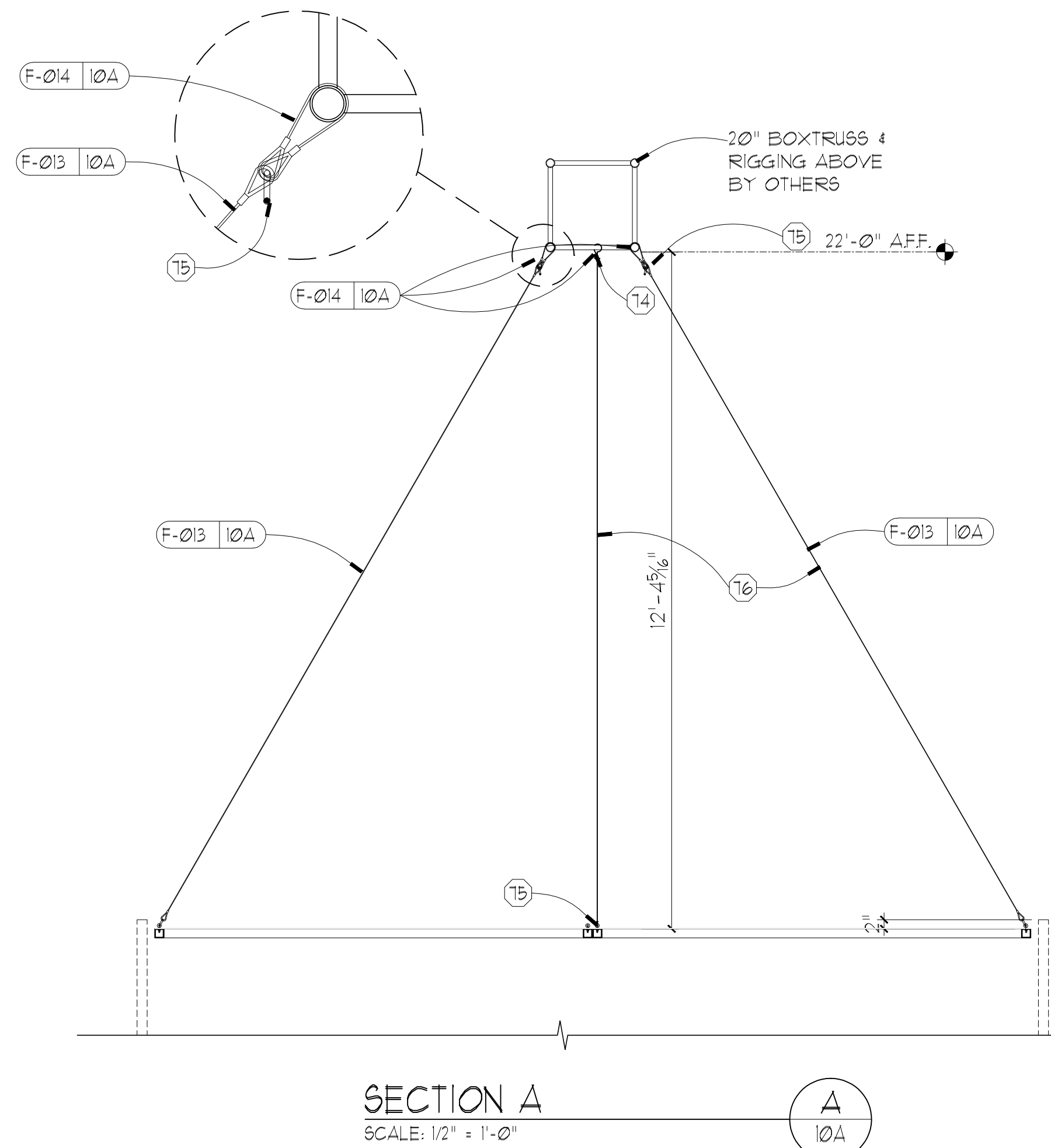
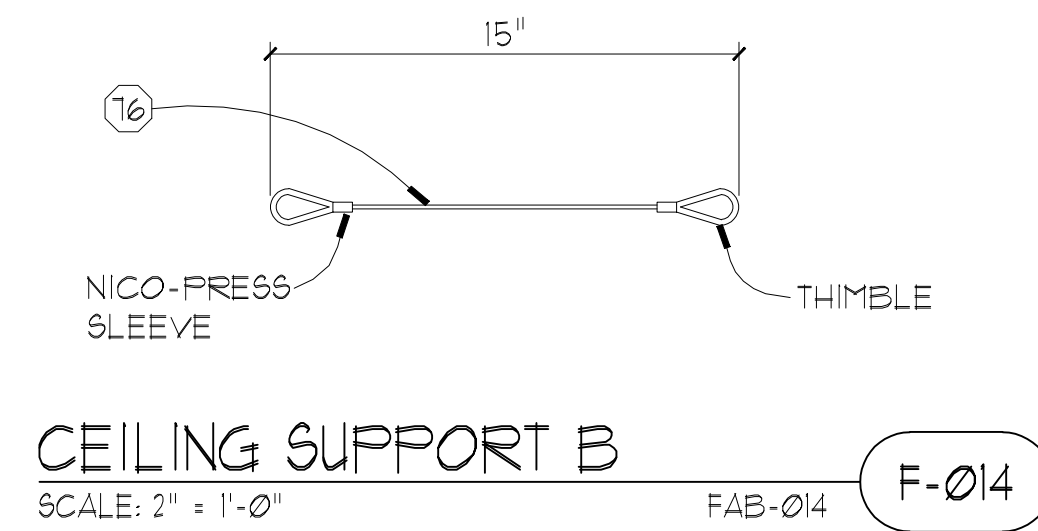
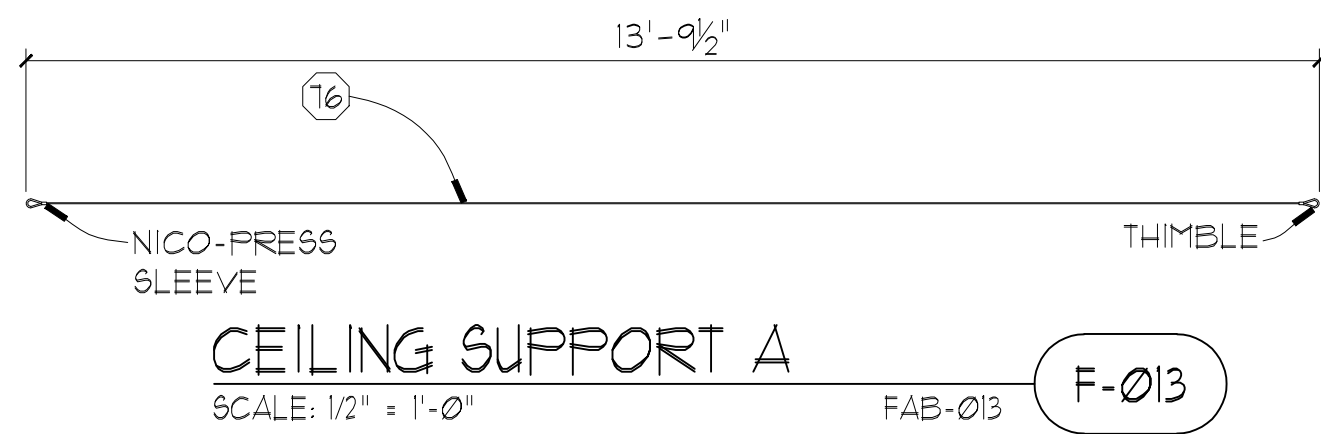
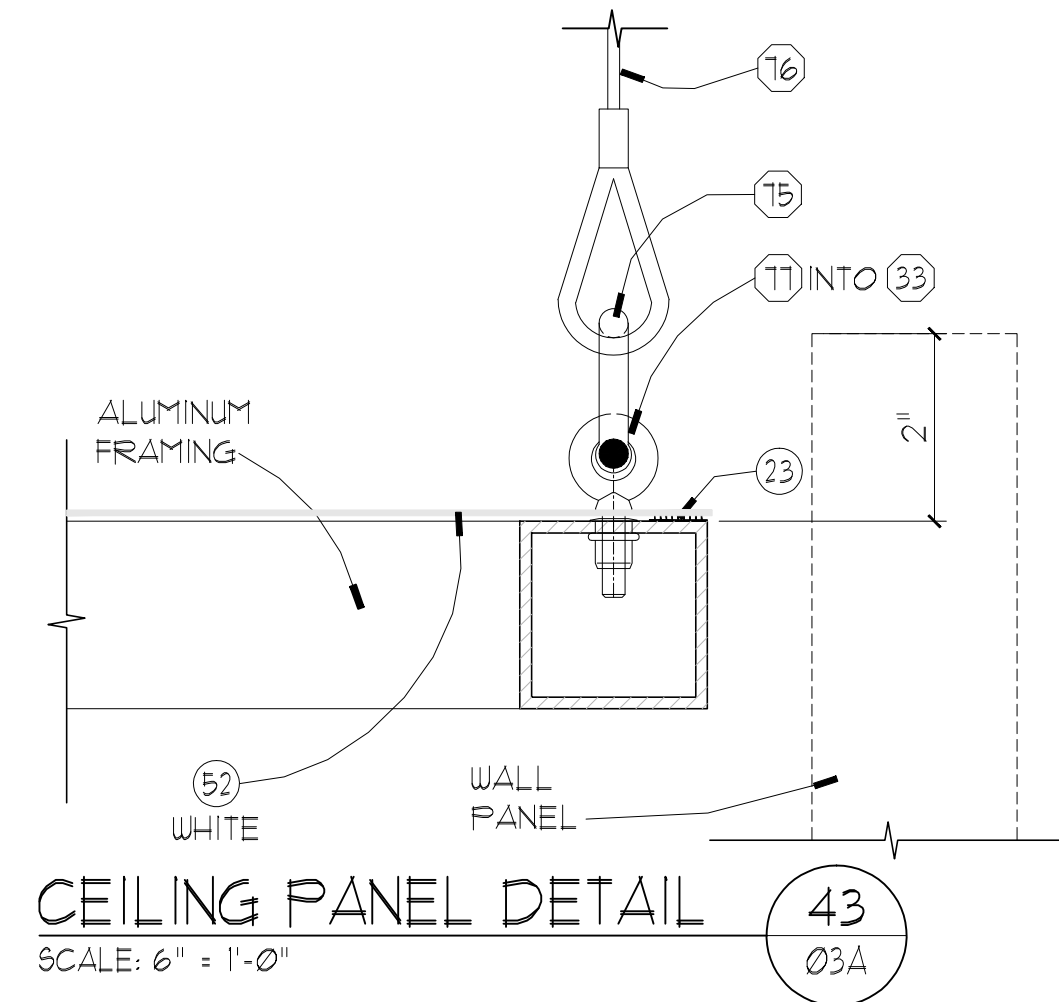
CONTAINER
CRATED

USAGE
TO BE SHIPPED OVERSEAS? **NO**
CAN ELEMENT BE USED IN L.A. **NO**

DRAWING NO. 4096-00E	DRAWN JA	APP'D	APP'D DATE
--------------------------------	--------------------	-------	------------

SHOP ORDER NO.
1018536C0

- STRUCTURAL
- LOGISTICS
- CRATING
- GRAPHICS
- SEWING
- PAINT
- ELECTRICAL
- METAL SHOP
- C.A.N.C. DEPT.
- LEAD FOREMAN
- GEN. FOREMAN
- PRODUCTION
- ISSUE DATE:



KEYNOTING SCHEDULES		TOTAL UNITS REQ'D
MATERIAL SCHEDULE		
MARK	MFG. CAT. NO.	DESCRIPTION
1	197081	1
1 UNITS A10/DRO11		
DO NOT SCALE DRAWINGS		
<small>GENERAL NOTE</small> This drawing is the property of, and contains design data which is proprietary to George P. Johnson. Reproduction, use, or transfer of this drawing, or any information contained herein, to others, except as specifically authorized in connection with this project only, is NOT permitted without written approval of George P. Johnson. <small>COPYRIGHT 2007 George P. Johnson</small>		
 GEORGE P. JOHNSON experience marketing <small>3600 Giddings Rd. 18500 Crenshaw Blvd 4000 Centre Point Drive Auburn Hills, MI 48326 Torrance, CA 90504 LeVergne, TN 37086 (248) 475-2500 (310) 965-4300 (615) 768-3200 (800) 521-1365 (800) 338-8032</small>		
MOTOROLA - MD		
CES 2011 TN FABRICATION		
BACKROOM CEILING		
PLAN & ELEVATIONS		
APPROVALS		
DESIGN	SALES	PRODUCTION STRUCTURAL
NASHVILLE		CRATED
FABRICATION LOCATION: NASHVILLE CONTAINER: CRATED USAGE: TO BE SHIPPED OVERSEAS? NO CAN ELEMENT BE USED IN L.A. NO		
DRAWING NO.	DRAWN	APPR APPR DATE
4096-10A	JS ML	10/1/09
SHOP ORDER NO.		
1018536C0		

STRUCTURAL
 LOGISTICS
 CRATING
 GRAPHICS
 SEWING
 PAINT
 ELECTRICAL
 METAL SHOP
 C.N.C. DEPT.
 LEAD FOREMAN
 GEN. FOREMAN
 PRODUCTION
 ISSUE DATE: **OCT 7, 2009**

70812010_4096-10A.dwg, 1/3/2011 11:56 PM, jamato