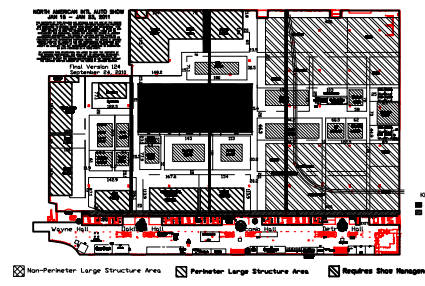


Ram Model Placement:		
R1	Ram 1500 Q/C SLT Big Horn	Brilliant Black
R2	Ram 1500 C/C Outdoorsman	Hunter Green
R4	Ram 1500 C/C Longhorn	Brilliant Black
R5	Ram 1500 C/C RAM RUNNER	Flame Red
R6	Ram 2500 C/C Powerwagon	Silver Metallic
R7	Ram 2500 C/C SLT Big Horn	Deep Cherry Red
R9	Ram 3500 C/C Laramie	Brilliant Black
R10	Ram 5500 R/C SLT	Flame Red
M5	Ram 1500 C/C Outdoorsman	Hunter Green



PROPERTIES SHIPPED BUT NOT USED

PROPERTIES FROM KIT: M10-

ADDITIONAL ELEMENTS:

UTILITY REQUIREMENTS

(---) 110V-500W (5A)	(---) 110V-1000W (10A)	(---) 110V-1500W (15A)	(---) 110V-2000W (20A)	(---) 110V-3000W (30A)	(---) MAIN DROP	(---) UNRESTRICTED PHONE	(---) T1 LINE	(---) RESTRICTED PHONE	(---) ISDN LINE	(---) AIR LINE	(---) ADSL LINE	(---) WATER	(---) P ADDRESS	(---) WASTE	(---) ETHERNET HUB	(---) ETHERNET LINE	(---) WIRELESS
----------------------	------------------------	------------------------	------------------------	------------------------	-----------------	--------------------------	---------------	------------------------	-----------------	----------------	-----------------	-------------	-----------------	-------------	--------------------	---------------------	----------------

RENTAL REQUIREMENTS

(---)	(---)	(---)	(---)	(---)	(---)	(---)	(---)	(---)	(---)	(---)	(---)	(---)	(---)	(---)	(---)	(---)	(---)	(---)
-------	-------	-------	-------	-------	-------	-------	-------	-------	-------	-------	-------	-------	-------	-------	-------	-------	-------	-------

DRAPES: (---) LINEAL OF (---) HIGH
DRAPES COLOR: ---
CARPET: ---
FLORAL: ---
SOUND: ---
NOTES: ---
OVERHEAD LIGHTING: ---
NOTES: ---

(---) VEHICLES REQUIRED, AS SHOWN

NOTES

- 1.
- 2.
- 3.
- 4.
- 5.
- 6.

REVISION NOTES

REV	ISSUED FOR / REVISION	APP'D	DATE

DO NOT SCALE DRAWINGS

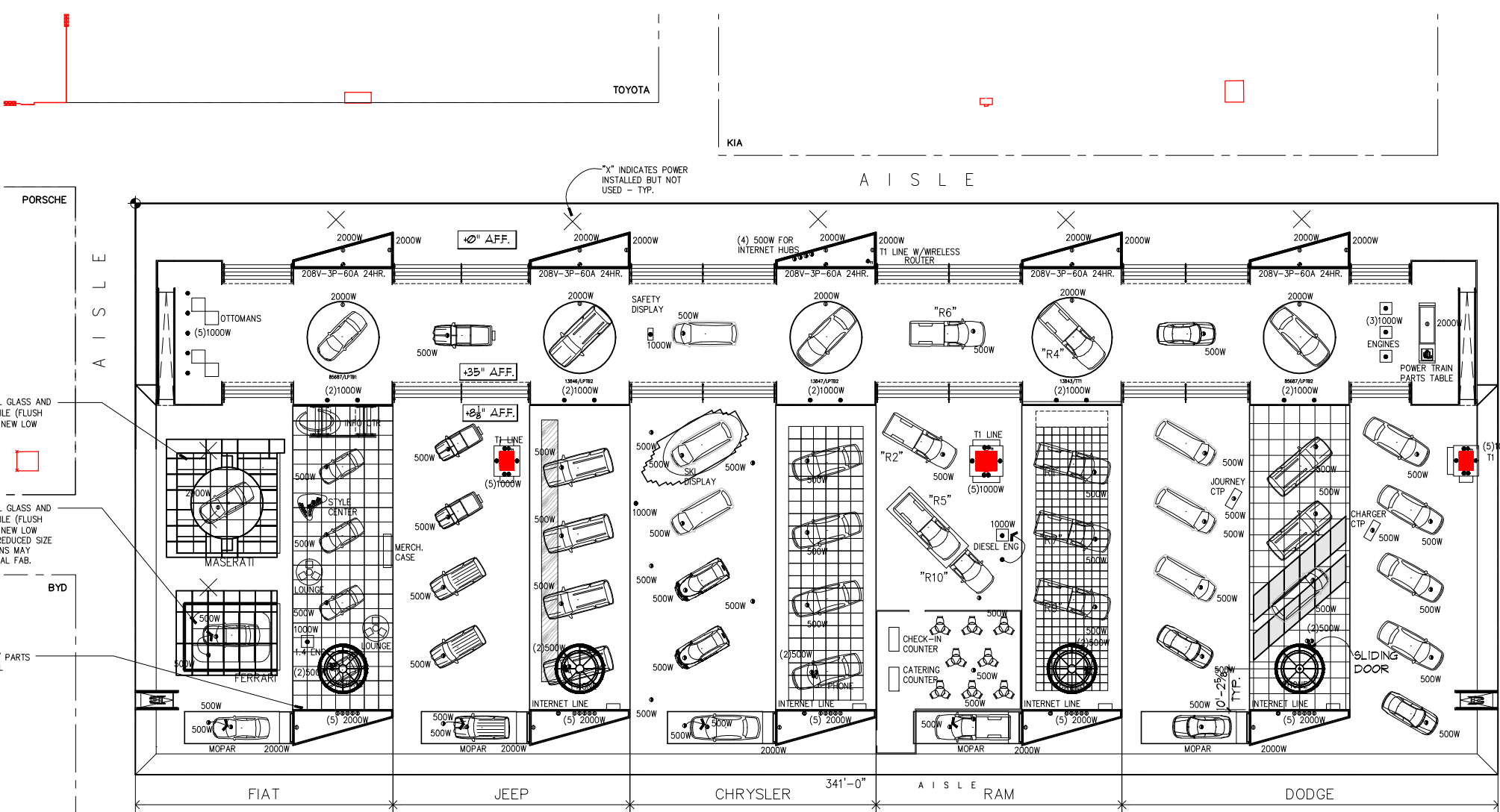
GEORGE R. JOHNSON
experience marketing

3600 Giddings Road Auburn Hills, MI 48326 (248) 475-2500 (800) 521-1385
 16500 Crenshaw Boulevard Torrance, CA 90504 (310) 906-4300 (800) 338-8032

DRAWING TITLE:
 NORTH AMERICAN INTL AUTO SHOW
 COBO CONFERENCE EXHIBITION CTR
 DETROIT, MI
 15-JAN-2011 - 23-JAN-2011

CHRYSLER

SPACE NO: CHRYSLER | CEILING HT: 30'-0"
 SPACE AREA: 48763 SF | SHOW HGT RES: 25'-0"
 DRAWN: DHW | APP'D: [] | RELEASE DATE: [] | SCALE: 1/16" = 1'-0"
 SALES APPROVAL: [] | PROJECT NUMBER: []
 DRAWING NUMBER: 1173-5 PLN | PROJECT NUMBER: 1009947S0



EXISTING VERTICAL GLASS AND EXISTING FLOOR TILE (FLUSH WITH DECK) WITH NEW LOW BACKWALL

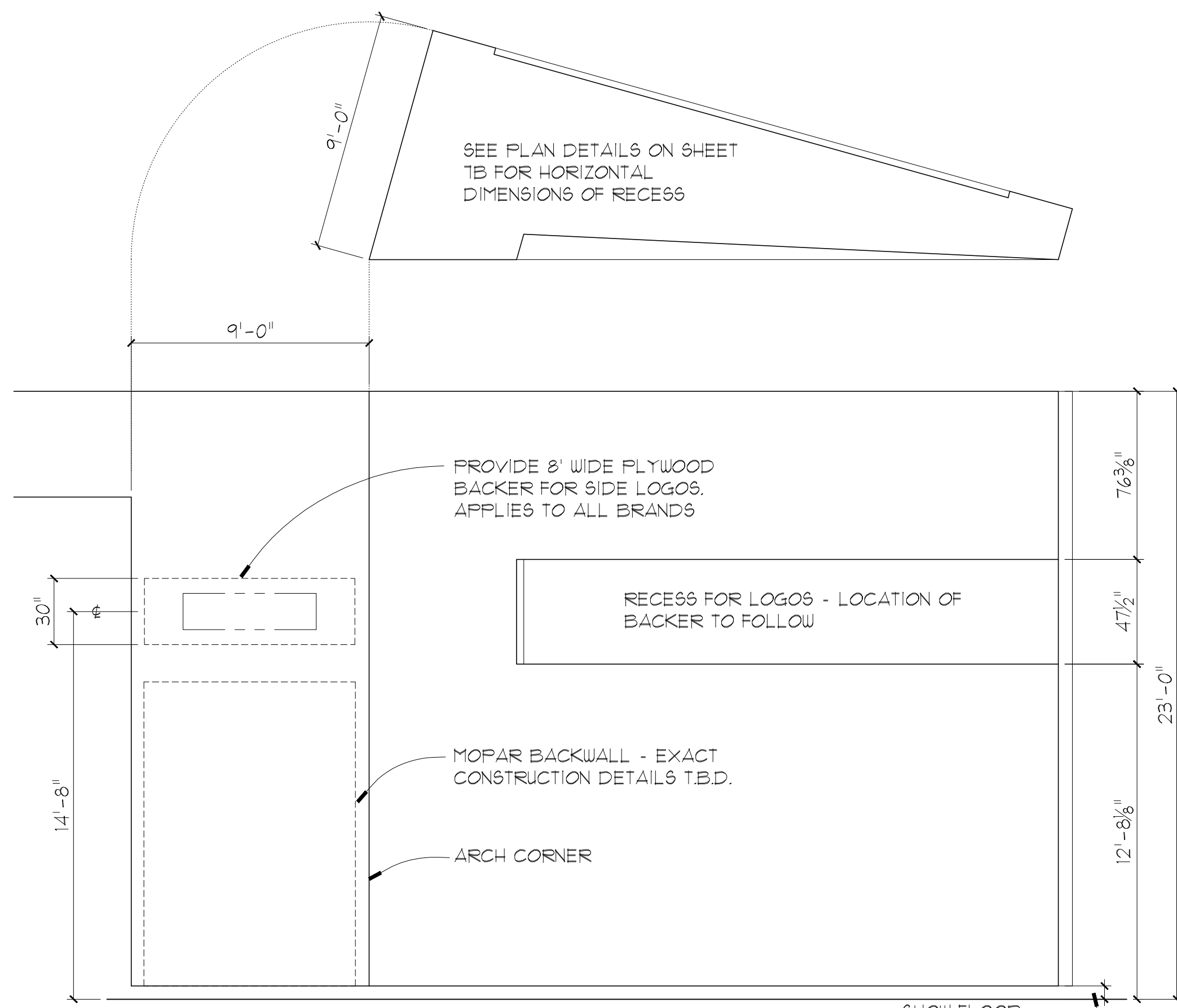
EXISTING VERTICAL GLASS AND EXISTING FLOOR TILE (FLUSH WITH DECK) WITH NEW LOW BACKWALL. NEW REDUCED SIZE IN BOTH DIRECTIONS MAY REQUIRE ADDITIONAL FAB.

ALL GRAPHICS W/ PARTS MOUNTED TO WALL

**PRESS LAYOUT -
TUESDAY JAN. 11, 2011**

PLAN AS OF 12.29.10



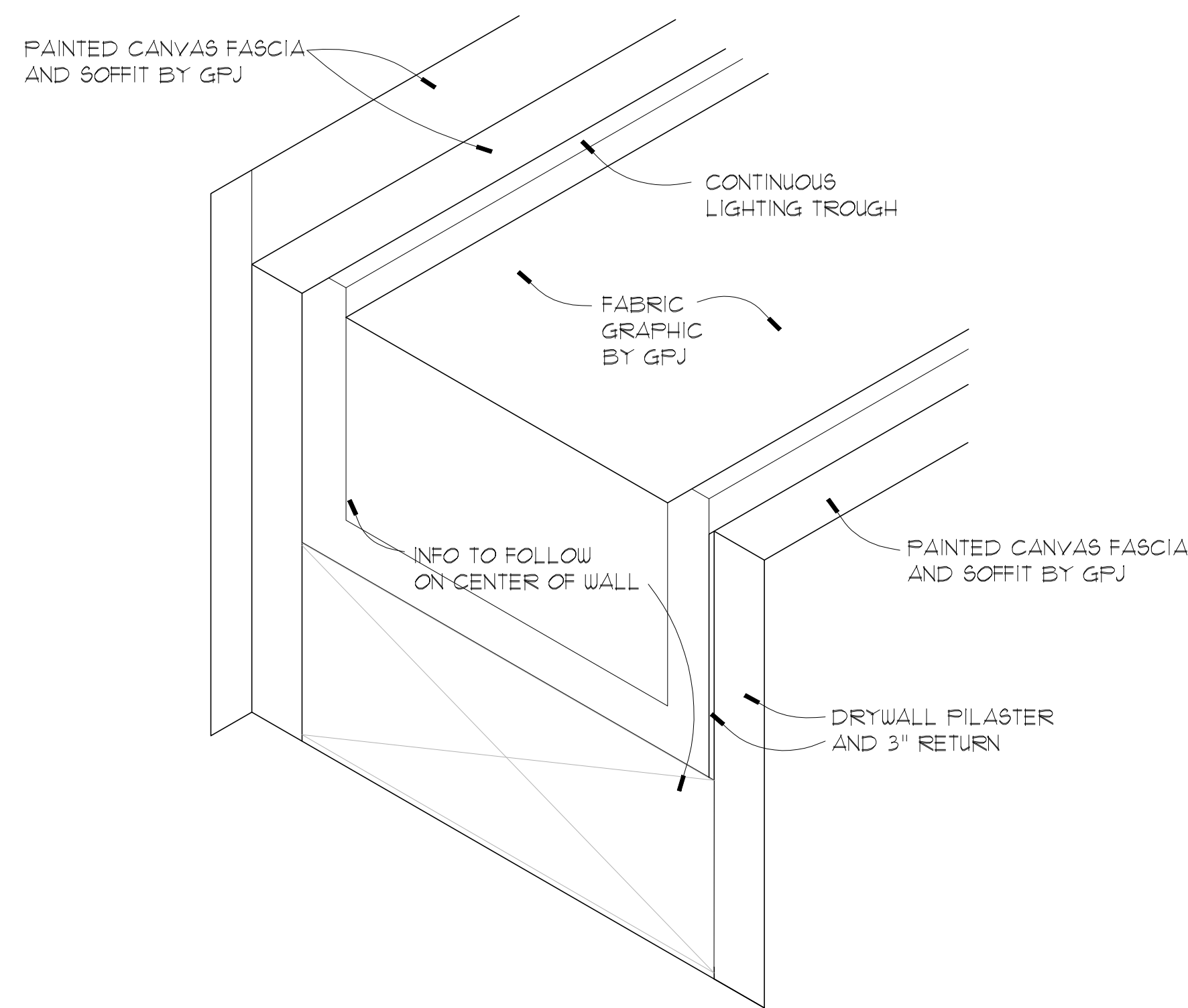
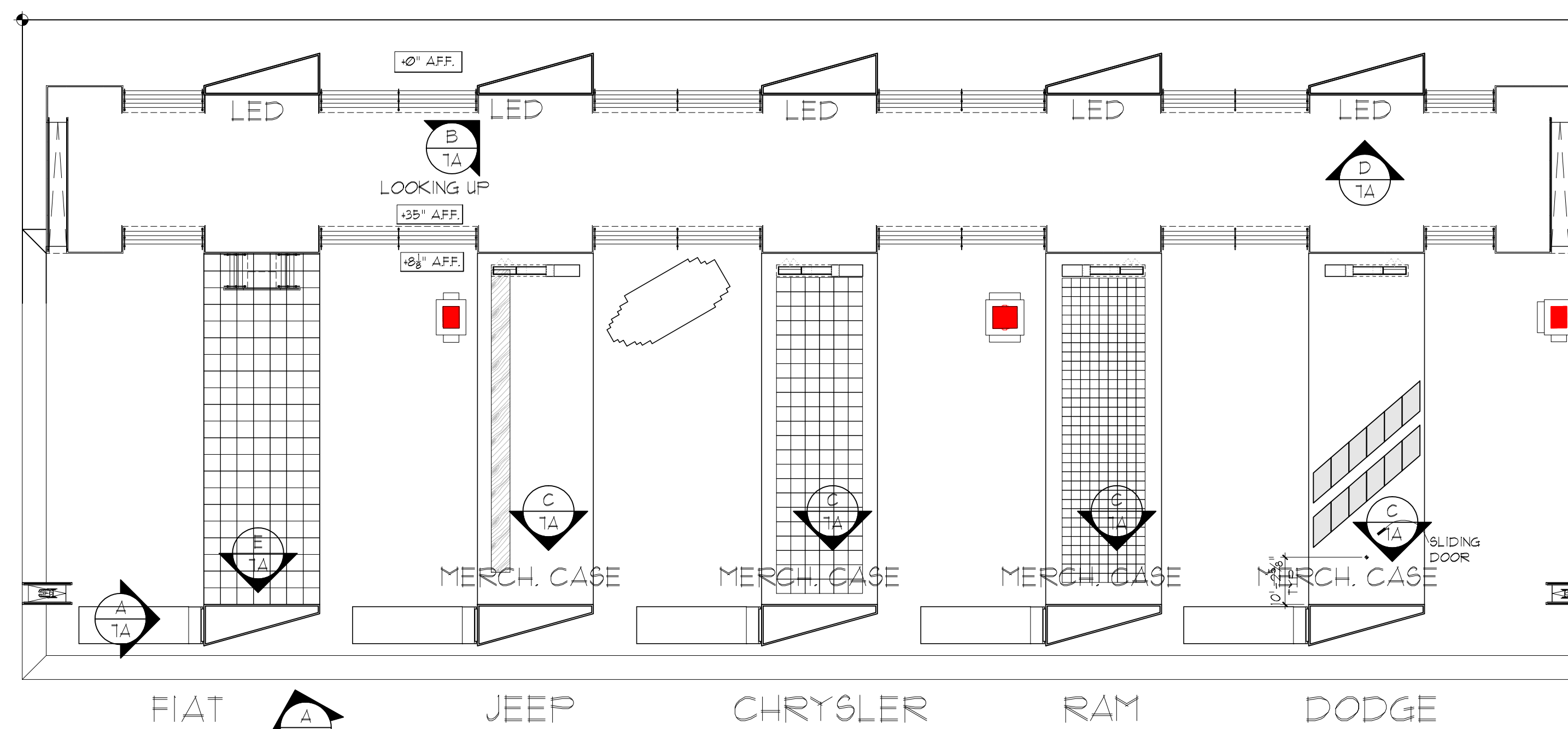


TYP. ELEVATION OF RECESS AND END
SCALE: 1/4" = 1'-0"

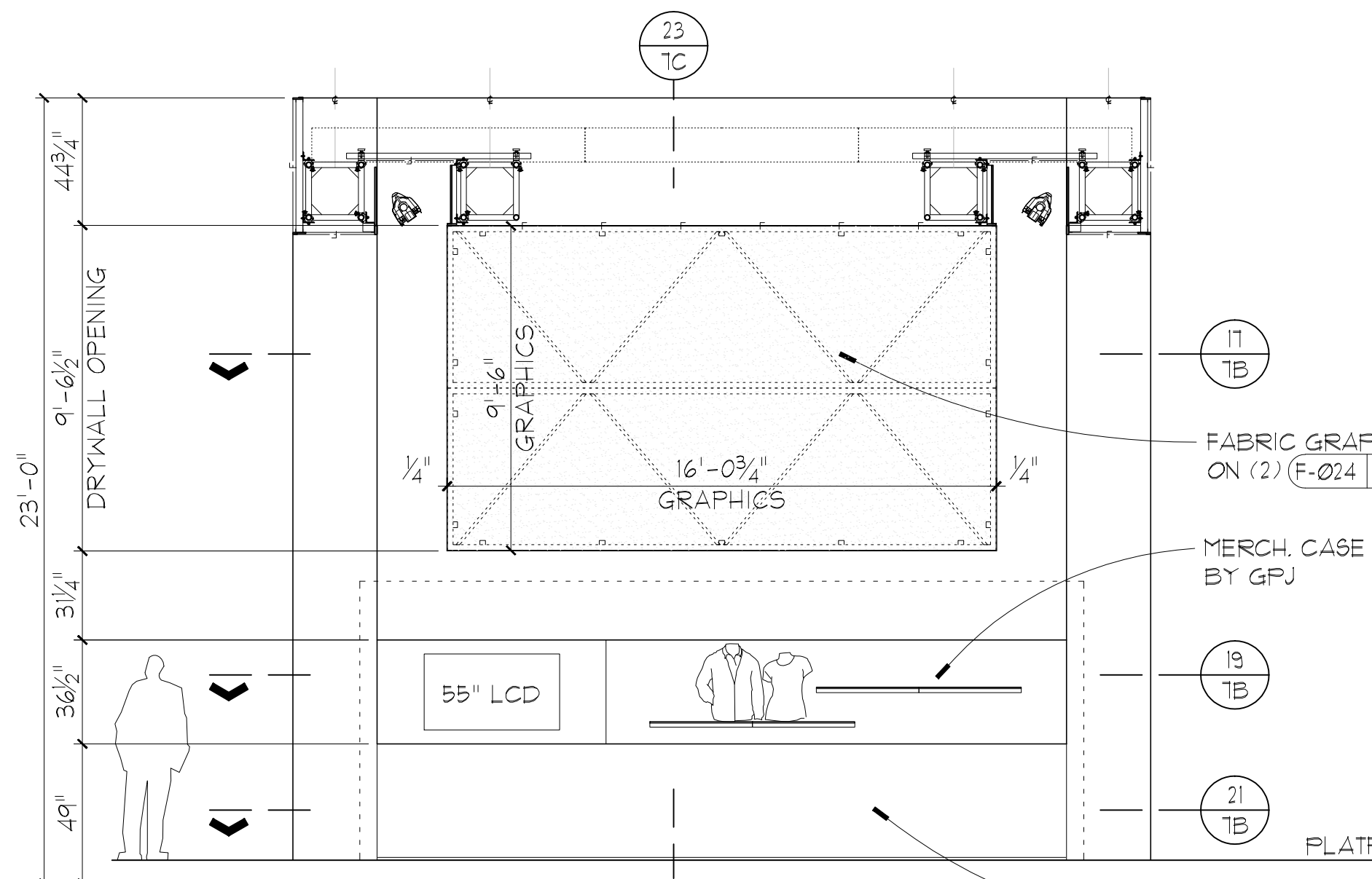
NOTE:
ALL LOGOS CENTERED
VERTICALLY AND HORIZONTALLY
WITHIN RECESS.

DIMENSION VARIES - SEE
SECTION DETAILS SHT TC

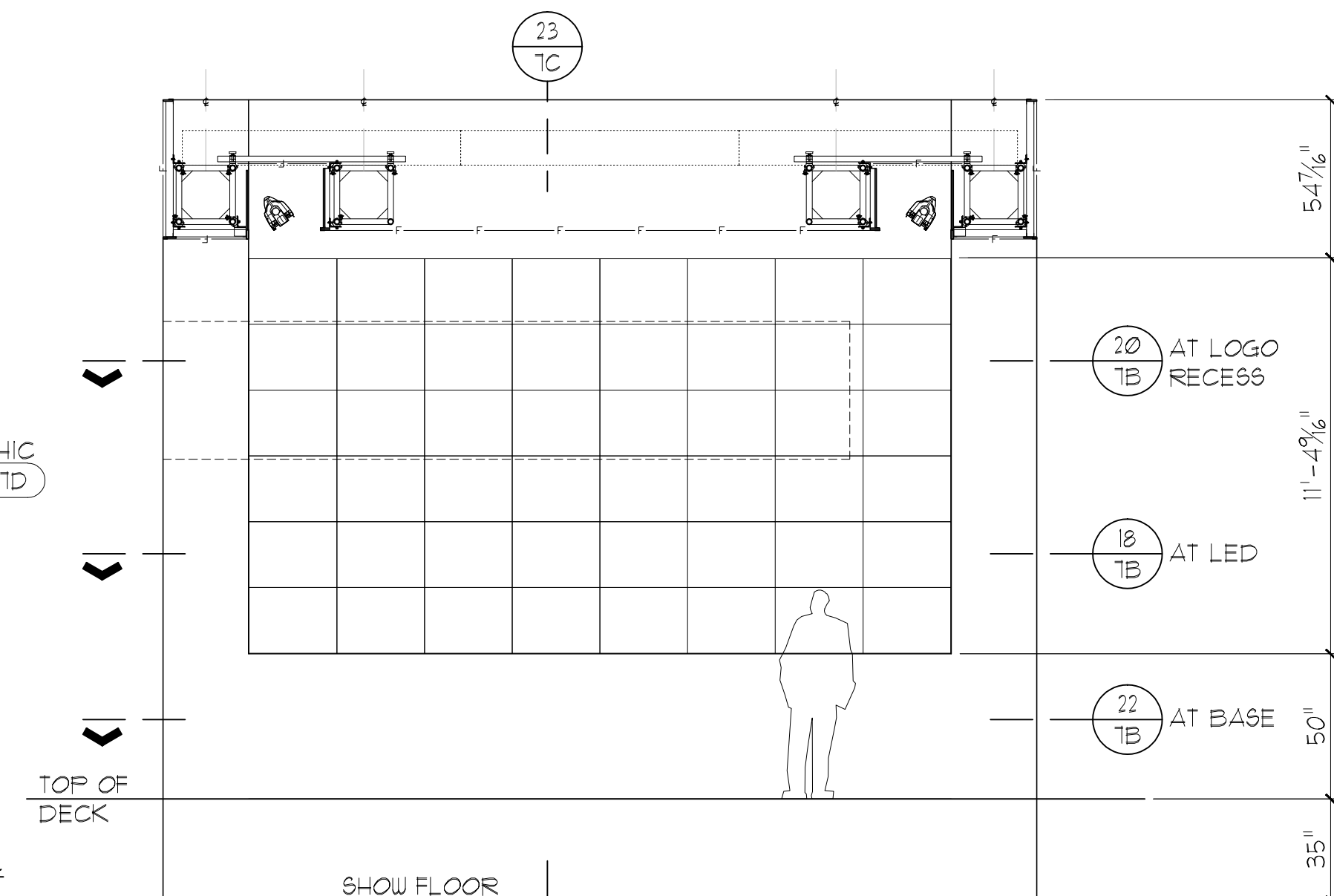
KEY PLAN
SCALE: NO SCALE



ISOMETRIC VIEW LOOKING UP
SCALE: NO SCALE



ELEV. MERCH. CABINET
SCALE: 1/4" = 1'-0"



ELEV. LED WALL
SCALE: 1/4" = 1'-0"

KEYNOTING SCHEDULES		
PAINT SCHEDULE		
MARK	COLOR NUMBER	DESCRIPTION
08		RED
MATERIAL SCHEDULE		
MARK	MFG. CAT. NO.	DESCRIPTION
06		3/4" MDF
40		5/8" END GRAIN FLOORING
41		1/8" HALO VINYL PLANK
42		1/4" THK. CARPET T.B.D.
43		3/4" STAINED PARTICLE BOARD
44		1/8" BOLON FLOORING
45		EXISTING 1/2" GLASS (37.3125 SQ.)
47		1/8" 2'x2' VINYL TILE
48	0509	ARPA BLACK PLASTIC LAMINATE
51		DIAMOND TREAD PLATE VINYL TILE

FABRICATED PARTS SCHEDULE (QUANTITIES LISTED ARE FOR ONE ELEMENT)			
MARK	QTY REQD	SOURCE	DESCRIPTION
F-024	8	GPJ	GRAPHIC FRAME

STENCILING	TOTAL UNITS REQD
CLIENT CODE 356387	1

DO NOT SCALE DRAWINGS

GENERAL NOTE
This drawing is the property of, and contains design data which is proprietary to George P. Johnson. Reproduction, use, or transfer of this drawing, or any information contained herein, to others, except as specifically authorized in connection with this project only, is NOT permitted without written approval of George P. Johnson.
COPYRIGHT 2007 George P. Johnson

GEORGE P. JOHNSON
experience marketing

3600 Giddings Rd. 18500 Crenshaw Blvd 4000 Centre Point Drive
Auburn Hills, MI 48326 Torrance, CA 90504 LoVergne, TN 37086
(248) 475-2500 (310) 965-4300 (615) 768-3200
(800) 521-1365 (800) 338-8032

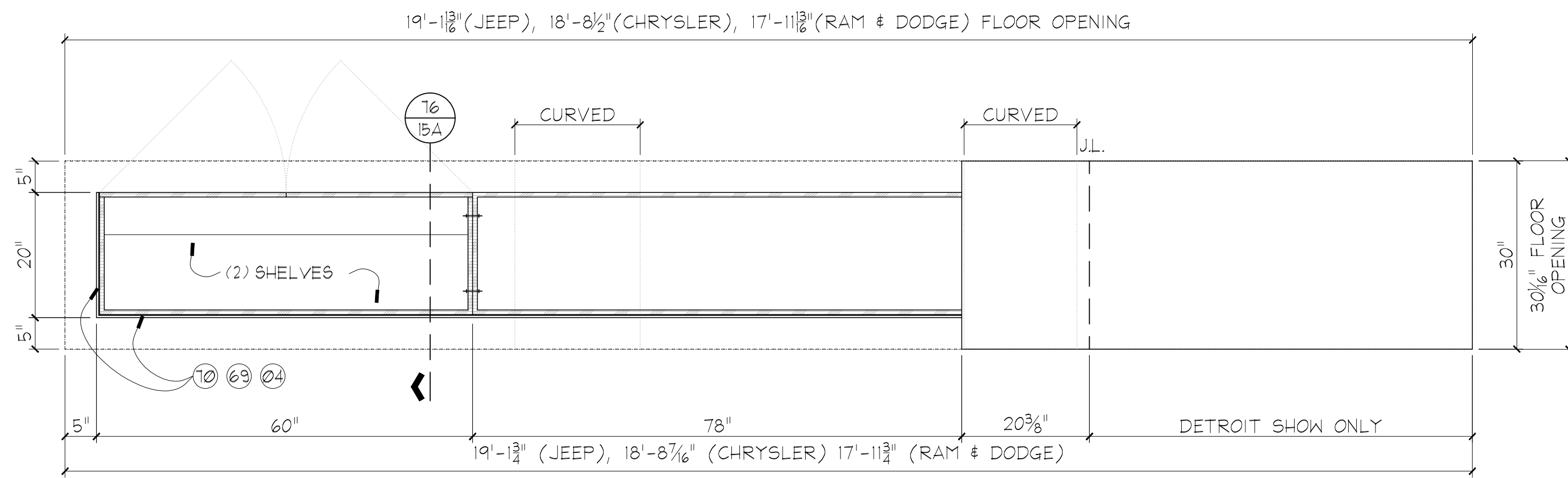
CHRYSLER
PROJECT
2011 DETROIT FAB
ELEMENT
DRYWALL ELEMENTS
DRAWING
PLAN

APPROVALS			
EST.	DESIGN	SALES	PRODUCTION
RZ	RM	RC	AM
FABRICATION LOCATION		CONTAINER	
DETROIT		CRATED	
USAGE TO BE SHIPPED OVERSEAS? NO CAN ELEMENT BE USED IN L.A. NO			

DRAWING NO. 4008-07A	DRAWN JA	APPR ML	APPR DATE 12/16/10
SHOP ORDER NO.			

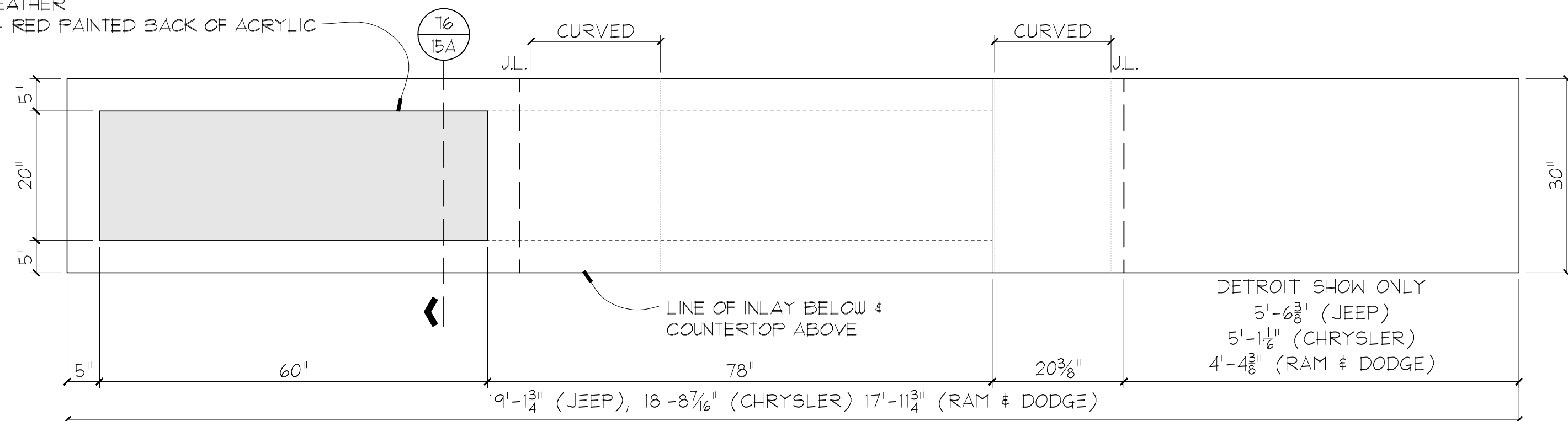
1018525C0

ISSUE DATE: DEC 16, 2010
 STRUCTURAL
 LOGISTICS
 CRATING
 GRAPHICS
 SEWING
 PAINT
 ELECTRICAL
 METAL SHOP
 C.A.N.C. DEPT.
 LEAD FOREMAN
 GEN. FOREMAN
 PRODUCTION

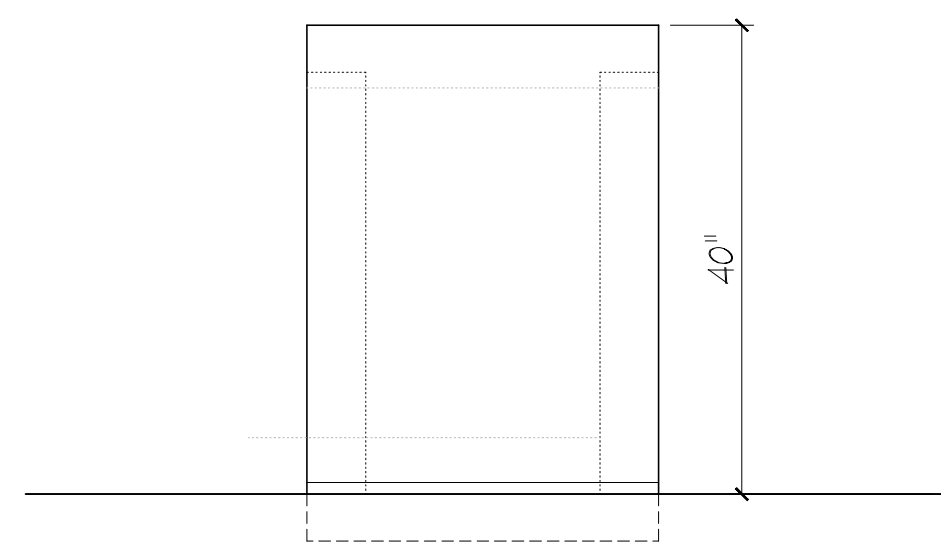


PLAN DETAIL @ CABINET
SCALE: 3/4" = 1'-0"
A
15A

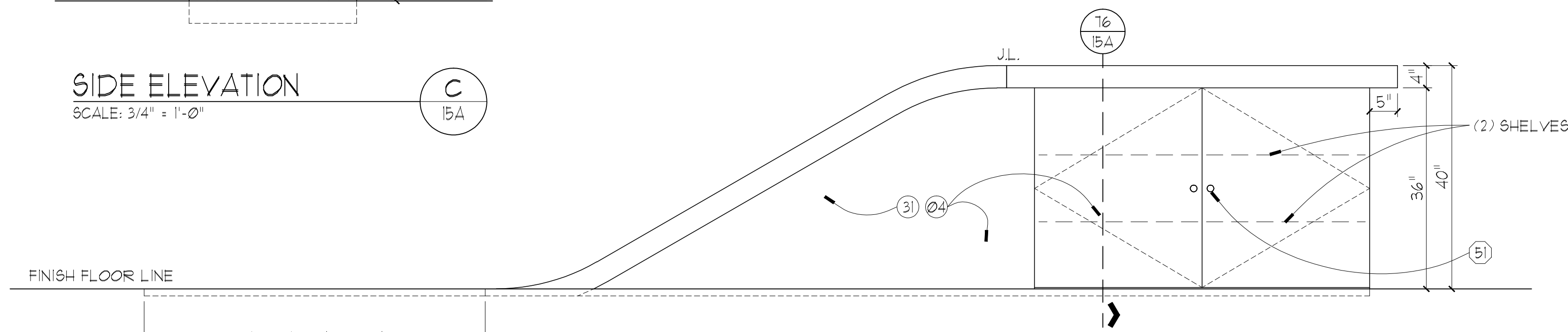
INLAY
JEEP - WOOD/ ACRYLIC
CHRYSLER - MIRROR/ FROSTED
RAM - LEATHER
DODGE - RED PAINTED BACK OF ACRYLIC



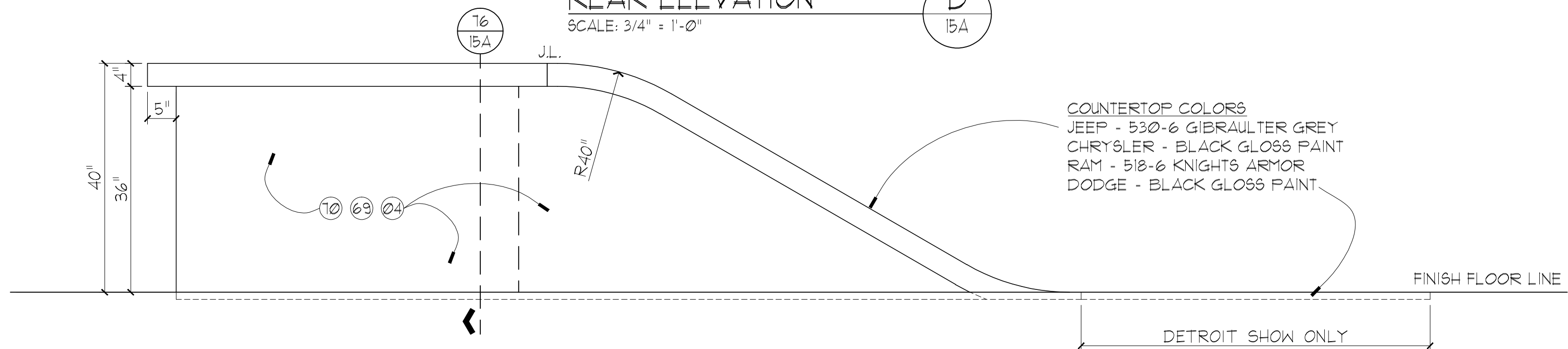
PLAN DETAIL @ COUNTERTOP
SCALE: 3/4" = 1'-0"
B
15A



SIDE ELEVATION
SCALE: 3/4" = 1'-0"
C
15A

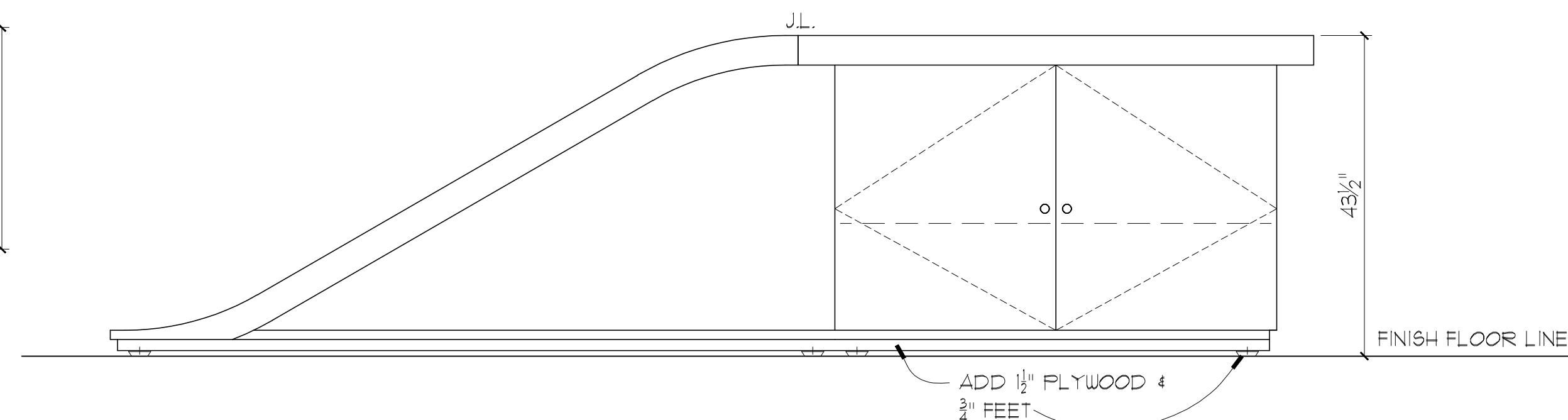


REAR ELEVATION
SCALE: 3/4" = 1'-0"
D
15A

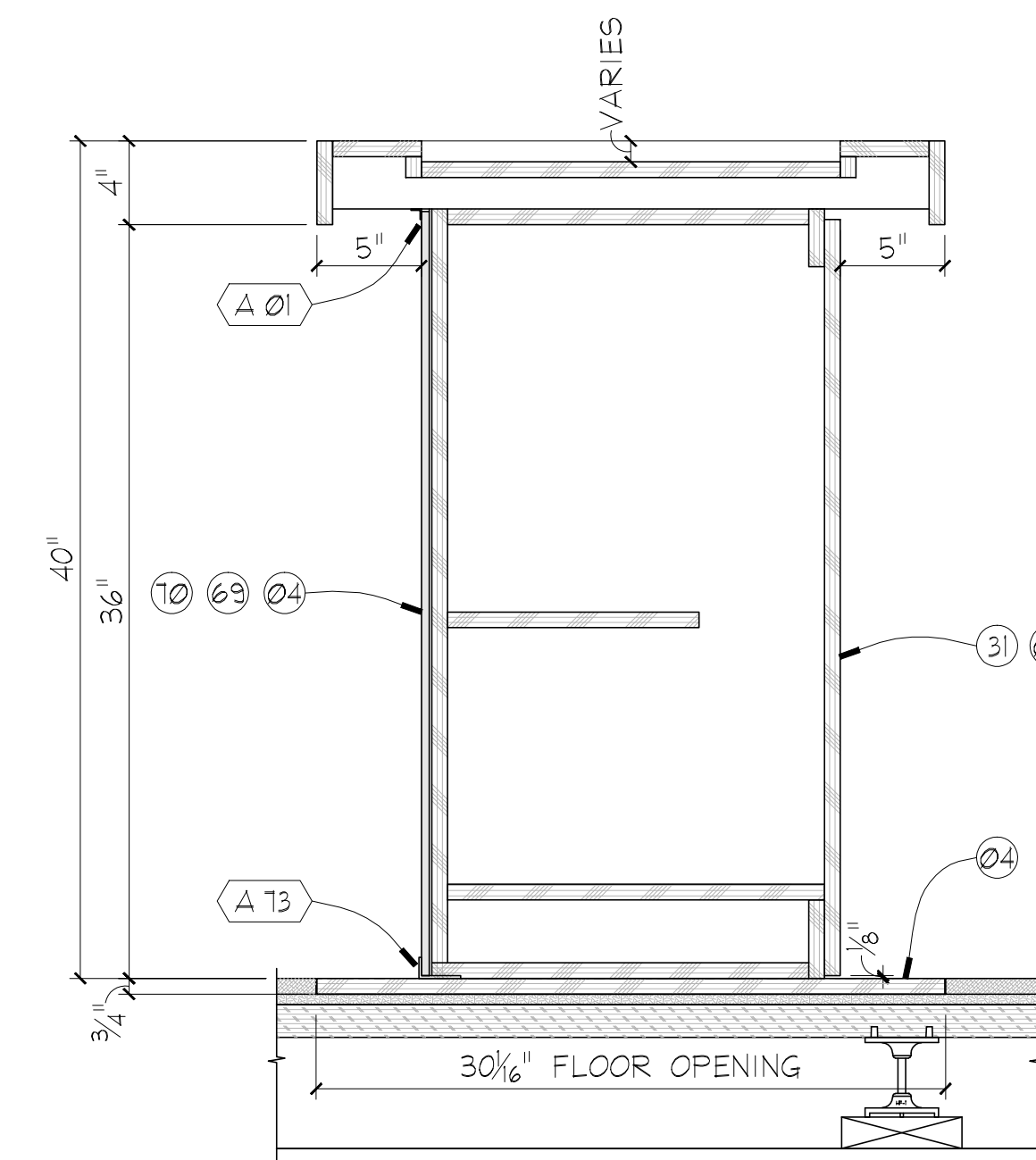


FRONT ELEVATION
SCALE: 3/4" = 1'-0"
E
15A

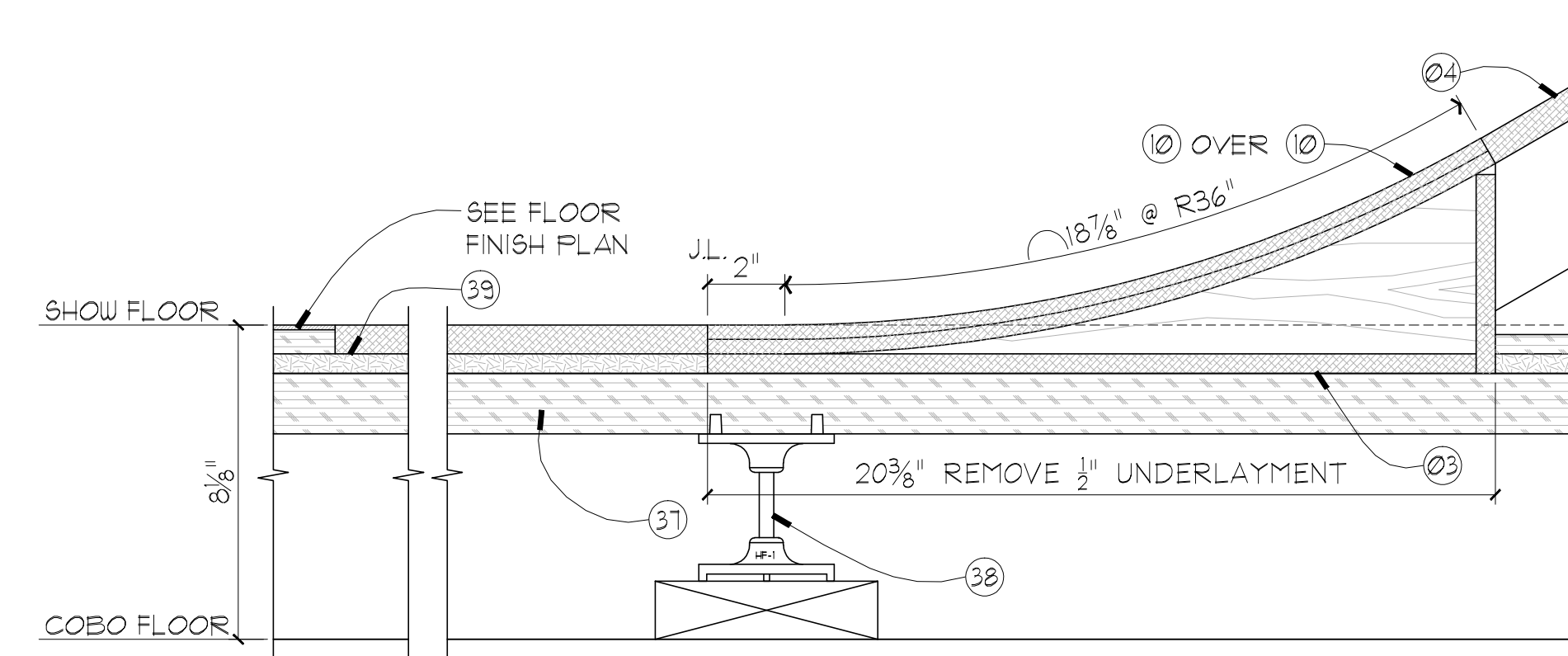
COUNTERTOP COLORS
JEEP - 530-6 GIBRAULTER GREY
CHRYSLER - BLACK GLOSS PAINT
RAM - 518-6 KNIGHTS ARMOR
DODGE - BLACK GLOSS PAINT



ALTERNATE USE
SCALE: 3/4" = 1'-0"
F
15A



CABINET SECTION
SCALE: 1-1/2" = 1'-0"
76
15A



CORNER DETAIL
SCALE: 3" = 1'-0"
70
15A

KEYNOTING SCHEDULES		
MATERIAL SCHEDULE		
MARK	MFG. CAT. NO.	DESCRIPTION
03		1/2" A/C FIR PLYWOOD
04		3/4" A/C FIR PLYWOOD
10		3/8" BENDING LUAN
31		Paint-grade laminate
37		EXISTING OCTANORM PANEL
38		EXISTING OCTANORM FEET
39		1/2" UNDERLAYMENT
69		1/8" MIRROR
70		3/8" FROSTED ACRYLIC
HARDWARE SCHEDULE		
MARK	MFG. CAT. NO.	DESCRIPTION
51		Keyed Lock
METAL SCHEDULE		
MARK	DESCRIPTION	
A 01	ALUM ANGLE - .5"x.5"x1/16" thk.	
A 73	ALUM ANGLE - 1" x 3" x 1/8"	

STENCILING		TOTAL UNITS REQ'D
CLIENT CODE	356387	4
DO NOT SCALE DRAWINGS		
GENERAL NOTE This drawing is the property of, and contains design data which is proprietary to George P. Johnson. Reproduction, use, or transfer of this drawing, or any information contained herein, to others, except as specifically authorized in connection with this project only, is NOT permitted without written approval of George P. Johnson. COPYRIGHT 2007 George P. Johnson		
GEORGE P. JOHNSON experience marketing		
3600 Giddings Rd. 18500 Crenshaw Blvd 4000 Centre Point Drive Auburn Hills, MI 48326 Torrance, CA 90504 LoVergne, TN 37086 (248) 475-2500 (310) 965-4300 (615) 768-3200 (800) 521-1365 (800) 338-8032		
CLIENT CHRYSLER		
PROJECT 2011 DETROIT FAB		
ELEMENT INFO COUNTER		
DRAWING PLAN, ELEVATIONS & SECTIONS		
APPROVALS		
EST. RZ	DESIGN DJ	SALES CM
PRODUCTION AM		STRUCTURAL
FABRICATION LOCATION DETROIT		CONTAINER CRATED
USAGE TO BE SHIPPED OVERSEAS? NO CAN ELEMENT BE USED IN L.A. NO		
DRAWING NO. 4008-15A	DRAWN JA	APPR APPR DATE AO 12/29/10
SHOP ORDER NO. 1018525C0		

STENCILING		TOTAL UNITS REQ'D
CLIENT CODE	356387	4
DO NOT SCALE DRAWINGS		
GENERAL NOTE This drawing is the property of, and contains design data which is proprietary to George P. Johnson. Reproduction, use, or transfer of this drawing, or any information contained herein, to others, except as specifically authorized in connection with this project only, is NOT permitted without written approval of George P. Johnson. COPYRIGHT 2007 George P. Johnson		
GEORGE P. JOHNSON experience marketing		
3600 Giddings Rd. 18500 Crenshaw Blvd 4000 Centre Point Drive Auburn Hills, MI 48326 Torrance, CA 90504 LoVergne, TN 37086 (248) 475-2500 (310) 965-4300 (615) 768-3200 (800) 521-1365 (800) 338-8032		
CLIENT CHRYSLER		
PROJECT 2011 DETROIT FAB		
ELEMENT INFO COUNTER		
DRAWING PLAN, ELEVATIONS & SECTIONS		
APPROVALS		
EST. RZ	DESIGN DJ	SALES CM
PRODUCTION AM		STRUCTURAL
FABRICATION LOCATION DETROIT		CONTAINER CRATED
USAGE TO BE SHIPPED OVERSEAS? NO CAN ELEMENT BE USED IN L.A. NO		
DRAWING NO. 4008-15A	DRAWN JA	APPR APPR DATE AO 12/29/10
SHOP ORDER NO. 1018525C0		

ISSUE DATE: DEC 29, 2010
 STRUCTURAL
 LOGISTICS
 CRATING
 GRAPHICS
 SEWING
 PAINT
 ELECTRICAL
 METAL SHOP
 LEAD FOREMAN
 GEN. FOREMAN
 PRODUCTION